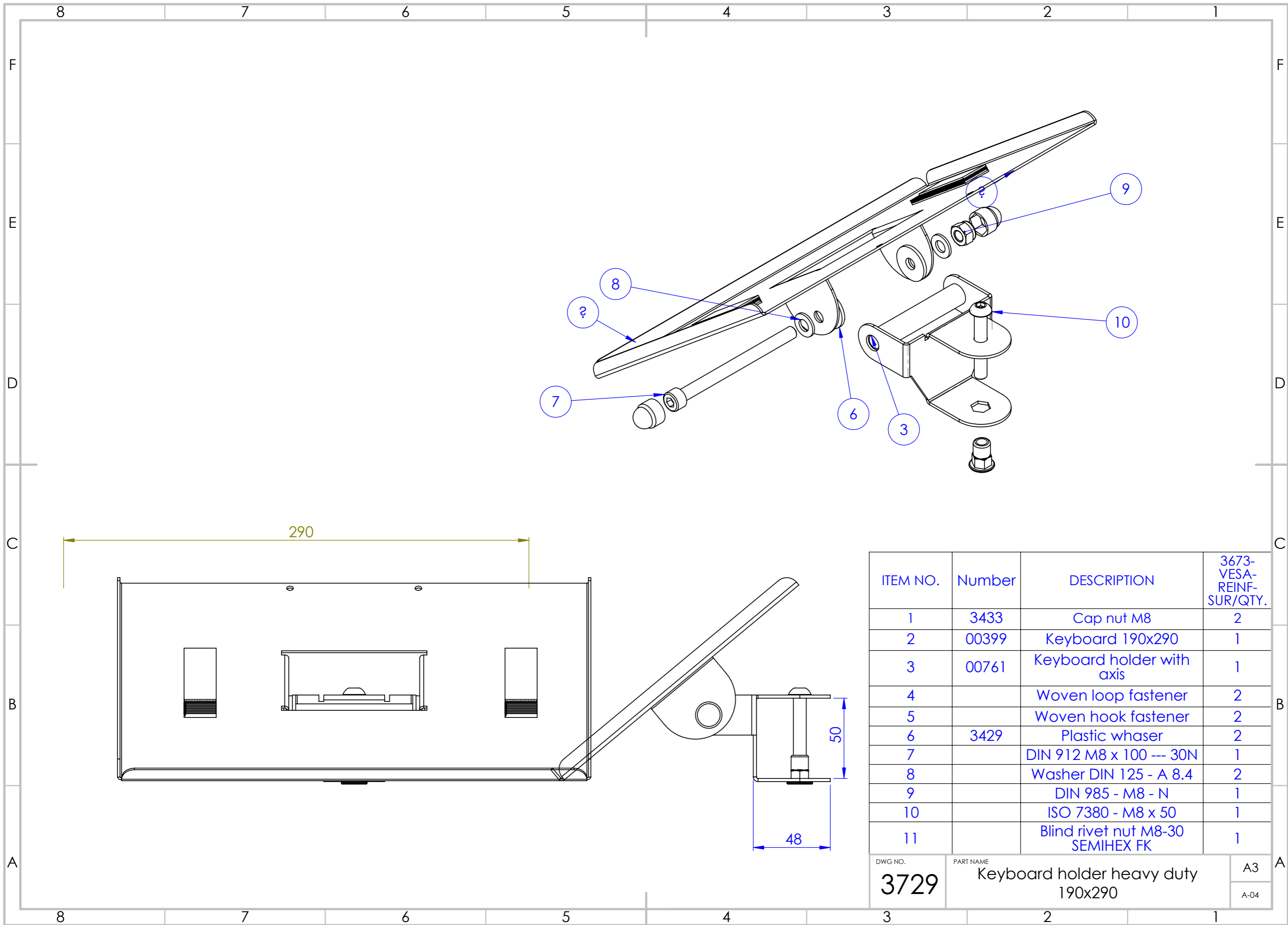


ITEM NO.	PART NUMBER	DESCRIPTION	3673-VESA-REINF-SUR/QTY.
1	3433 - cap_nut M8	Cap nut M8	2
2	00399-KEYB-PAD-190-REINF-UZL-GAM-P	Keyboard 190x290	1
3	00761-LAIK-KEYB-PAD-REINF-DAZ	Keyboard holder with axis	1
4	00720-35-ALFA-LOOP-20-500-A-GLUE	80 mm	2
5	00721-35-ALFA-HOOK-20-500-A-GLUE	80 mm	2
6	3429-DIN 9021 M8 Plastic whaser	Plastic whaser	2
7	DIN 912 M8 x 100 --- 30N	DIN 912 M8 x 100 --- 30N	1
8	Washer DIN 125 - A 8.4	Washer DIN 125 - A 8.4	2
9	DIN 985 - M8 - N	DIN 985 - M8 - N	1
10	ISO 7380 - M8 x 50 - 50N	ISO 7380 - M8 x 50	1
11	03116-M8-30 SEMIHEX FK	Blind rivet nut M8-30 SEMIHEX FK	1

UNLESS OTHERWISE SPECIFIED: DIMENSIONS ARE IN MILLIMETERS SURFACE FINISH: TOLERANCES: LINEAR: ANGULAR:			FINISH:	DEBURR AND BREAK SHARP EDGES	DO NOT SCALE DRAWING	REVISION	A-04
NAME	SIGNATURE	DATE	TITLE:				
DRAWN		2021-04-12	00401-KEYB-HOLDER-190-REINF-UZL-SUR				
CHK'D			DWG NO.				
APPV'D			A3				
MFG			SCALE:1:5				
Q.A			SHEET 1 OF 2				
MATERIAL: - mm			WEIGHT:				



ITEM NO.	Number	DESCRIPTION	3673-VESA-REINF-SUR/QTY.
1	3433	Cap nut M8	2
2	00399	Keyboard 190x290	1
3	00761	Keyboard holder with axis	1
4		Woven loop fastener	2
5		Woven hook fastener	2
6	3429	Plastic whaser	2
7		DIN 912 M8 x 100 --- 30N	1
8		Washer DIN 125 - A 8.4	2
9		DIN 985 - M8 - N	1
10		ISO 7380 - M8 x 50	1
11		Blind rivet nut M8-30 SEMIHEX FK	1

DWG NO. 3729	PART NAME Keyboard holder heavy duty 190x290	A3 A-04
------------------------	--	------------