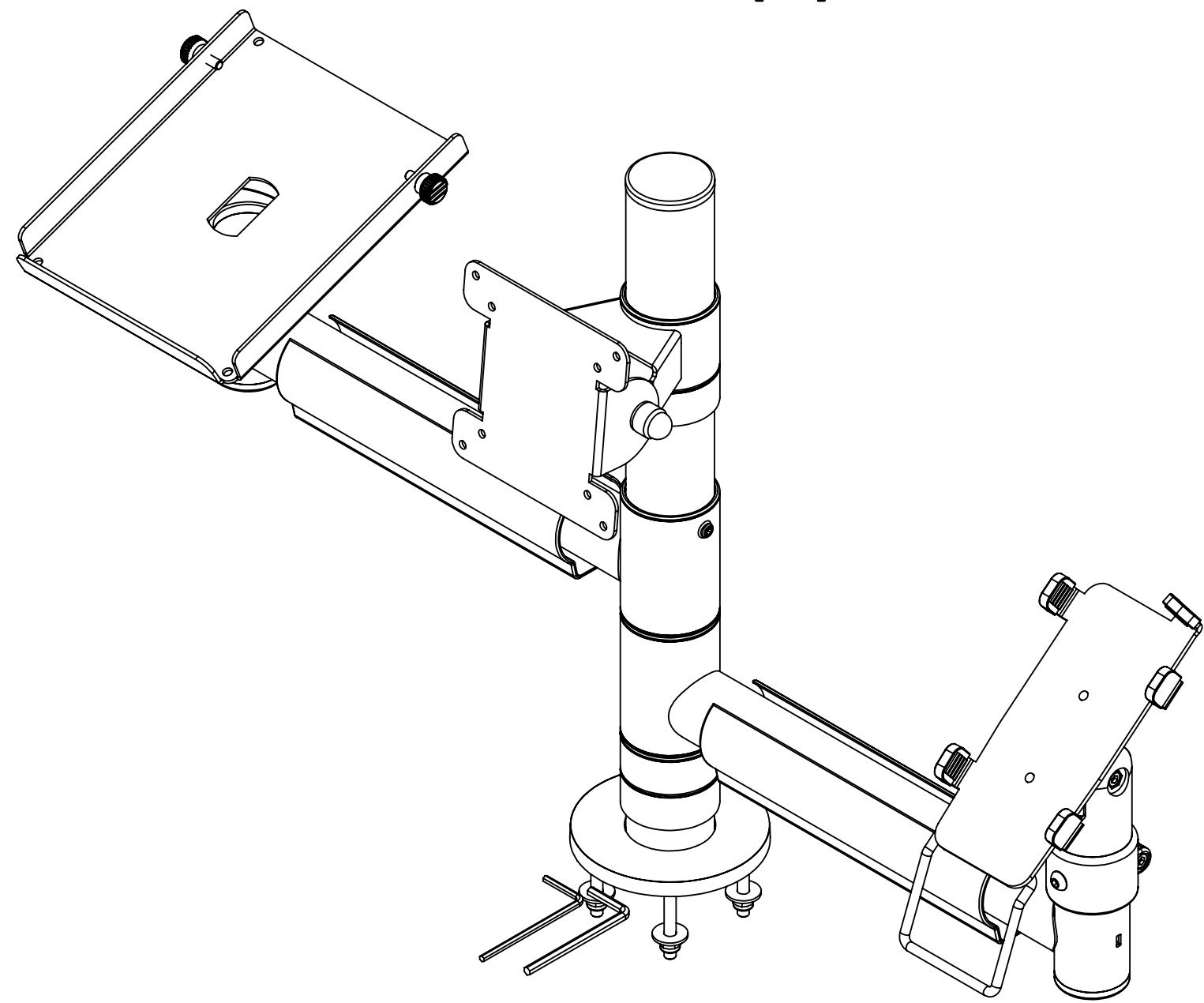
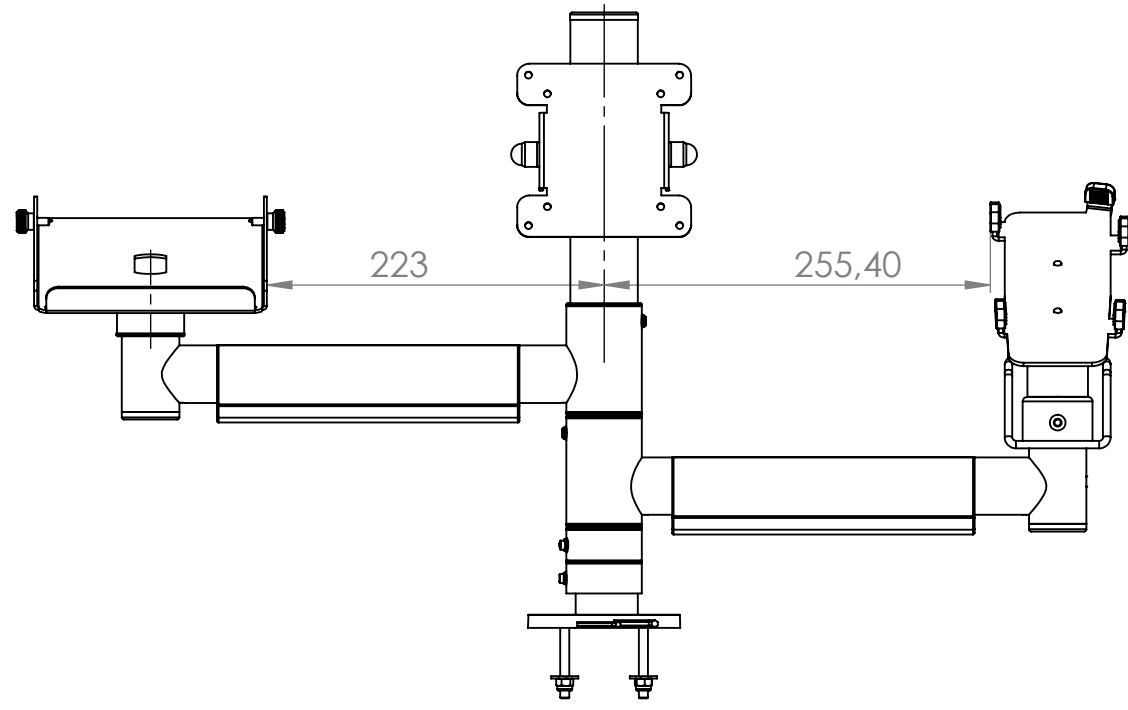


8 7 6 5 4 3 2 1

F
E
D
C
B
A



ITEM NO.	PART NUMBER	DESCRIPTION	Default/ QTY.
1	02293-PAST_STOV-44.5-400-DAZ	400 mm high painted stand	1
2	3583	Plastic cover of stand D45	1
3	ISO 7380 - M6 x 50 - 50N		4
4	Washer DIN 9021 - 6.4		4
5	DIN 985 - M6 - N	DIN 985 - M6 - N	4
6	2263-DIN911 SW 4	Key for ISO 7380 M6x50	1
7	00486-IPP350-V2-38-SUR		1
8	3722-03985-FIX-RING-SUR	Height fixing ring	3
9	03964-HAND-PRINT-FIX-300-SUR		1
10	00460-VESA-TRUM-SUR	Monitoriaus laikiklis trumpas VESA 75/100	1
11	3637 - D45 KamstisV2	Plastic cork D45	1
12	00183-PRINT-HOLD-147-SUR		1
13	02052-WIRE-HOLDER-L200	200 mm length plastic wire holder	2
14	3065-KEY-DIN911-SW3-ZN	Key for DIN 916 M6x6	1
15	01470-HAND-PIN-FIX-300-SUR		1

UNLESS OTHERWISE SPECIFIED:
DIMENSIONS ARE IN MILLIMETERS
SURFACE FINISH:
TOLERANCES:
LINEAR:
ANGULAR:

FINISH:

DEBURR AND BREAK SHARP EDGES

DO NOT SCALE DRAWING

REVISION A-01

NAME	SIGNATURE	DATE	TITLE:
DRAWN		2021-01-14	08691-STAND-14012021
CHK'D			
APPV'D			
MFG			
Q.A			

MATERIAL: - mm

DWG NO. 08691

SCALE:1:10

WEIGHT:

SHEET 1 OF 1

8 7 6 5 4 3 2 1