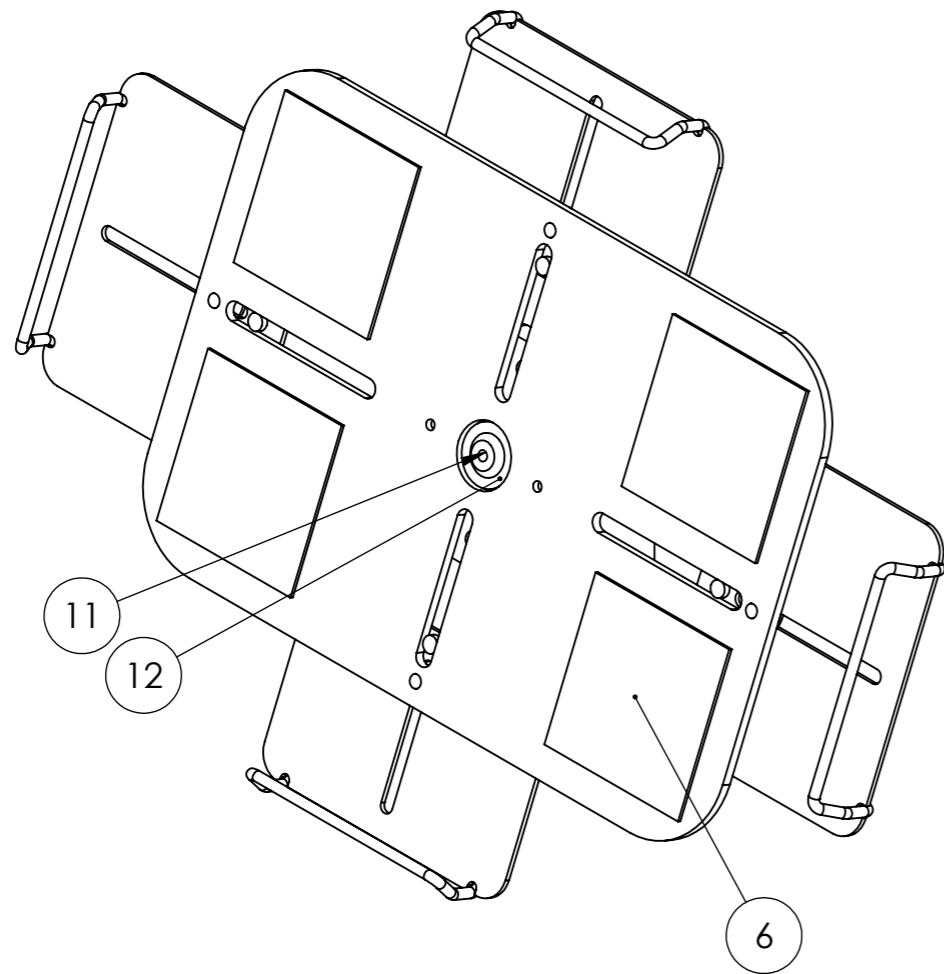
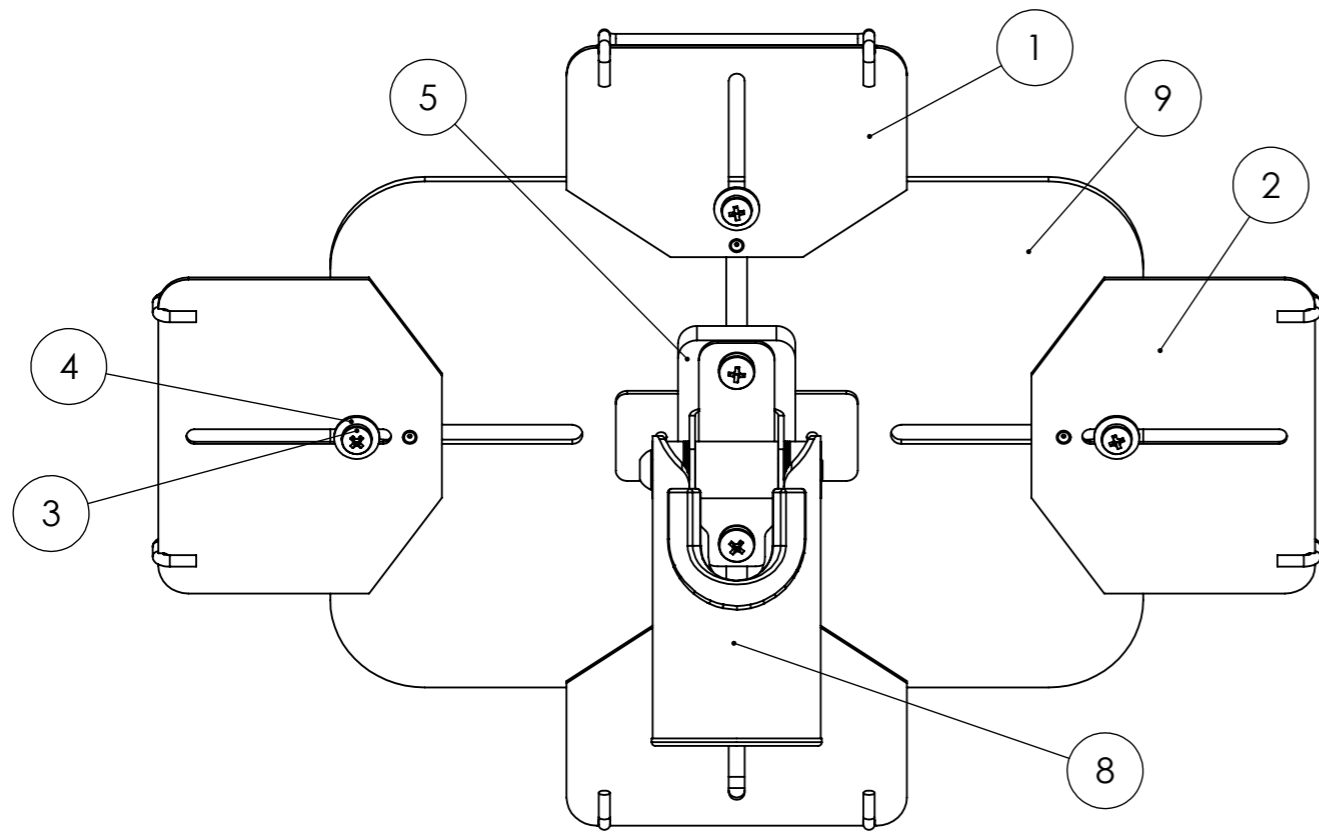


ITEM NO.	PART NUMBER	DESCRIPTION	QTY.
1	05528-UNI-TAB-HOLD-DAZ-2		2
2	05529-UNI-TAB-HOLD-DAZ		2
3	DIN 7985 - M4 x 6	DIN 7985 - M4 x 6 - Z - 6N	4
4	Washer DIN 9021 - 4.3		4
5	05535-SUK-MECH-PART-GAM-P		1
6	02200-STICKER-50x50		4
7	3489-K0322_06_0		1
8	04557-METAL-HINGE-SUR		1
9	05536-UNI-TAB-HOLD-BASE-PLATE-DAZ		1
10	04550-DISC-SPRING-DIN2093-DS15x6,2x0,5		1
11	05925-DIN7337 6.0x16		1
12	05926-DIN9021-6		1

UNLESS OTHERWISE SPECIFIED: DIMENSIONS ARE IN MILLIMETERS SURFACE FINISH: TOLERANCES: LINEAR: ANGULAR:			FINISH:		DEBURR AND BREAK SHARP EDGES		DO NOT SCALE DRAWING		REVISION A-05	
NAME	SIGNATURE	DATE				TITLE:		05533-UNIVERSAL-TABLET-HOLDER--38		
DRAWN		2020-08-12				DWG NO.		05533		
CHK'D						MATERIAL:		- mm		
APPV'D						WEIGHT:		SCALE:1:5		
MFG						SHEET 1 OF 2		A3		
Q.A										



ITEM NO.	PART NUMBER	DESCRIPTION	QTY.
1	05528-UNI-TAB-HOLD-DAZ-2		2
2	05529-UNI-TAB-HOLD-DAZ		2
3	DIN 7985 - M4 x 6	DIN 7985 - M4 x 6 - Z - 6N	4
4	Washer DIN 9021 - 4.3		4
5	05535-SUK-MECH-PART-GAM-P		1
6	02200-STICKER-50x50		4
7	3489-K0322_06_0		1
8	04557-METAL-HINGE-SUR		1
9	05536-UNI-TAB-HOLD-BASE-PLATE-DAZ		1
10	04550-DISC-SPRING-DIN2093-DS15x6,2x0,5		1
11	05925-DIN7337 6.0x16		1
12	05926-DIN9021-6		1

UNLESS OTHERWISE SPECIFIED: DIMENSIONS ARE IN MILLIMETERS SURFACE FINISH: TOLERANCES: LINEAR: ANGULAR:			FINISH:	DEBURR AND BREAK SHARP EDGES	DO NOT SCALE DRAWING	REVISION	A-05
NAME	SIGNATURE	DATE			TITLE:		
DRAWN		2020-08-12			05533-UNIVERSAL-TABLET-HOLDER--38		
CHK'D					DWG NO.		
APPV'D					05533		
MFG			MATERIAL:		A3		
Q.A			- mm		SCALE:1:5		
			WEIGHT:		SHEET 2 OF 2		