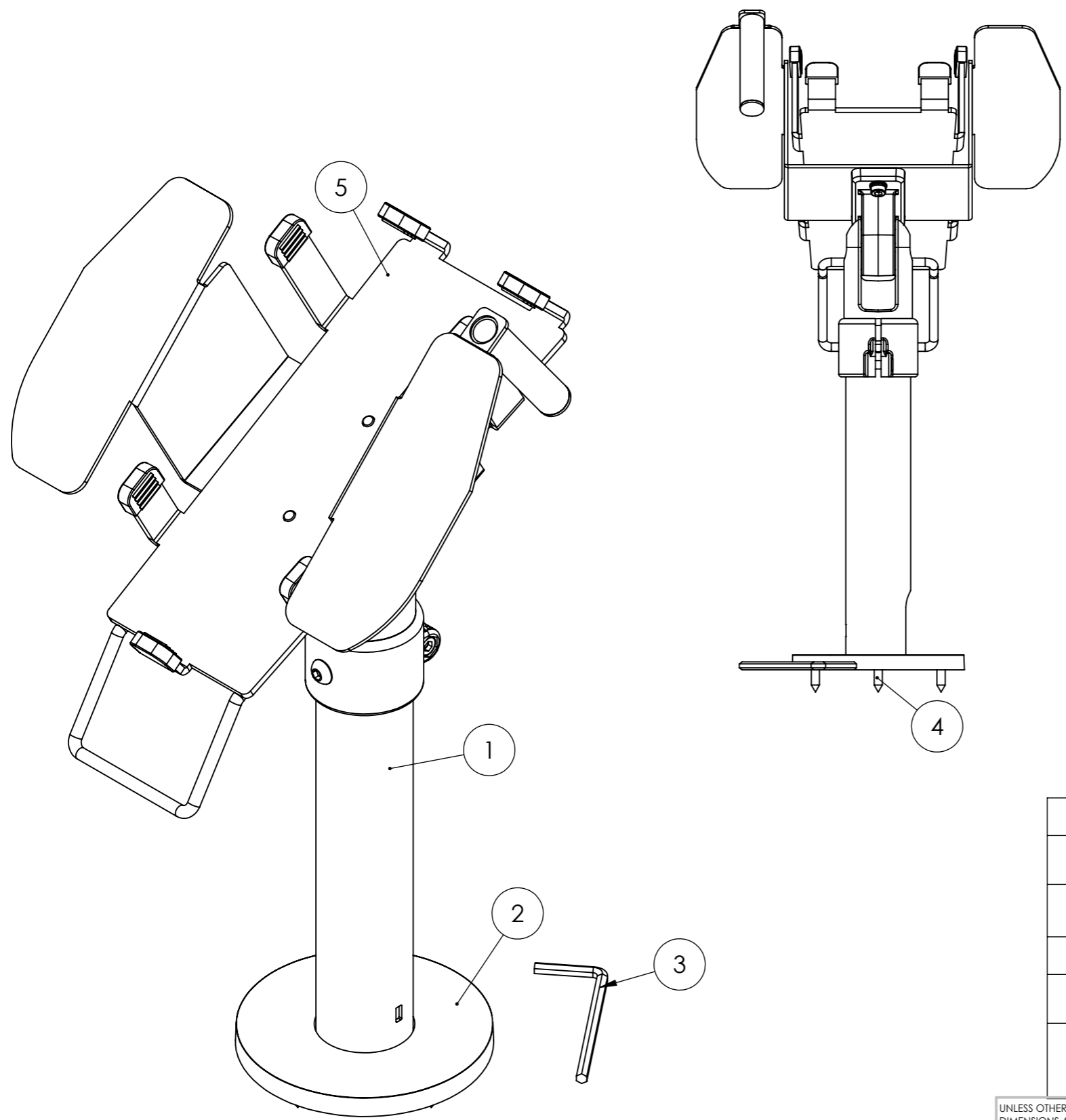


8 7 6 5 4 3 2 1

F
E
D
C
B
A



ITEM NO.	PART NUMBER	DESCRIPTION	QTY.
1	00106-PAST_STOV-38-200-DAZ	38-200	1
2	2272 - Plastmase stovo dangtelis D38	Plastic cover of stand D38	1
3	2263-DIN911 SW 4	Key for ISO 7380 M6x50	1
4	DIN 7981-ST4.8x16-C-H-N	DIN7981-C4.8x16-C-H	4
5	07818-ING-iPP480-38-SIGN-HOLDER-SUR		1

UNLESS OTHERWISE SPECIFIED: DIMENSIONS ARE IN MILLIMETERS SURFACE FINISH: TOLERANCES: LINEAR: ANGULAR:		FINISH:	DEBURR AND BREAK SHARP EDGES	DO NOT SCALE DRAWING	REVISION	A-02
NAME	SIGNATURE	DATE	TITLE: 07767-ING-iPP480-38-200			
DRAWN		2020-06-19	DWG NO. 07767			
CHK'D			A3			
APPV'D			SCALE:1:5			
MFG			SHEET 1 OF 1			
Q.A			MATERIAL: - mm			
			WEIGHT:			

8 7 6 5 4 3 2 1