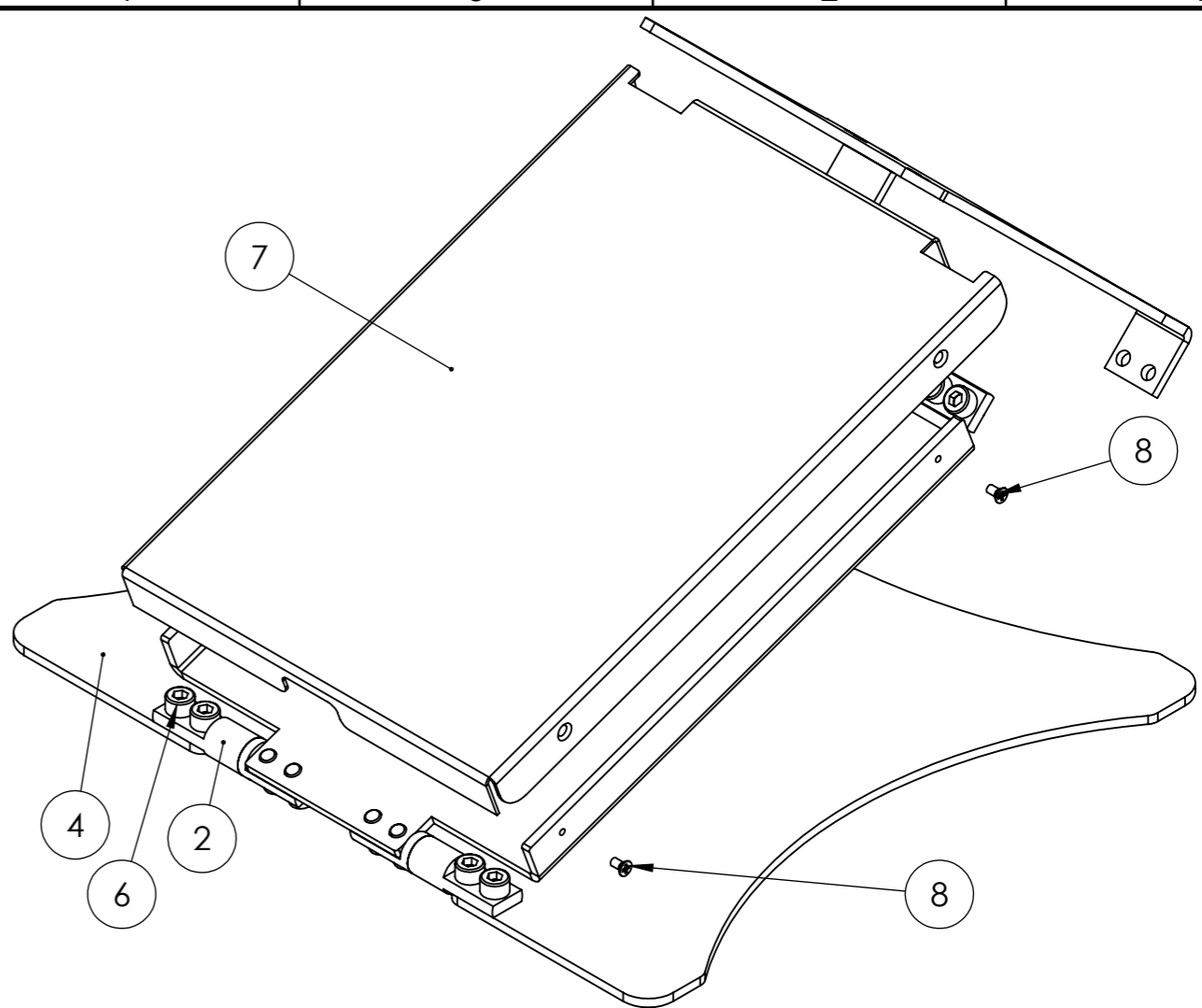
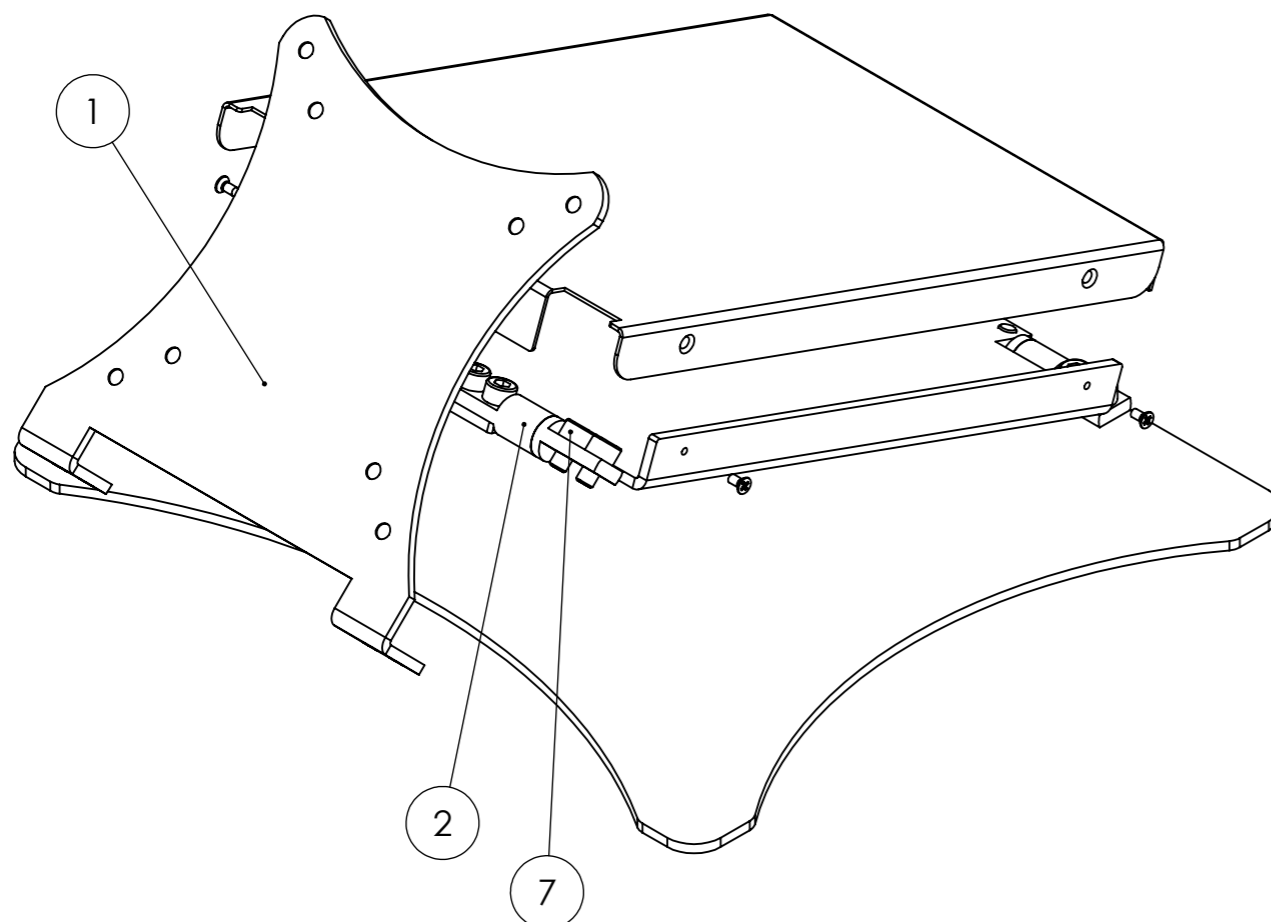


ITEM NO.	PART NUMBER	DESCRIPTION	QTY.
1	00796-VESA-FLEX-DAZ		1
2	00840-A-120-ADA-A-380		4
3	00798-VESA-FLEX-VID-DAZ		1
4	00797-VESA-FLEX-PAGR-DAZ		1
5	2197-SJ5023 - Gumine kojele	Rubber feet	4
6	DIN 912 M5 x 8 --- 8N		16
7	00799-VESA-FLEX-DANG-DAZ		1
8	DIN 965 EN ISO 7046 - M2.5 x 5 - Z - 5N		4

UNLESS OTHERWISE SPECIFIED: DIMENSIONS ARE IN MILLIMETERS SURFACE FINISH: TOLERANCES: LINEAR: ANGULAR:		FINISH:		DEBURR AND BREAK SHARP EDGES		DO NOT SCALE DRAWING		REVISION A-09	
NAME	SIGNATURE	DATE				TITLE: 00698-4POS-FLEXSTAND-SUR			
DRAWN		2020-01-29				DWG NO.			
CHK'D						A3			
APPV'D						SCALE:1:5			
MFG						SHEET 1 OF 2			
Q.A					MATERIAL: - mm				
					WEIGHT:				



ITEM NO.	PART NUMBER	DESCRIPTION	QTY.
1	00796-VESA-FLEX-DAZ		1
2	00840-A-120-ADA-A-380		4
3	00798-VESA-FLEX-VID-DAZ		1
4	00797-VESA-FLEX-PAGR-DAZ		1
5	2197-SJ5023 -Gumine kojele	Rubber feet	4
6	DIN 912 M5 x 8 --- 8N		16
7	00799-VESA-FLEX-DANG-DAZ		1
8	DIN 965 EN ISO 7046 - M2.5 x 5 - Z - 5N		4

UNLESS OTHERWISE SPECIFIED: DIMENSIONS ARE IN MILLIMETERS SURFACE FINISH: TOLERANCES: LINEAR: ANGULAR:		FINISH:		DEBURR AND BREAK SHARP EDGES		DO NOT SCALE DRAWING		REVISION A-09	
NAME	SIGNATURE	DATE				TITLE: 00698-4POS-FLEXSTAND-SUR			
DRAWN		2020-01-29				DWG NO.			
CHK'D						A3			
APPV'D						SCALE:1:5			
MFG						SHEET 2 OF 2			
Q.A					MATERIAL: - mm				
					WEIGHT:				