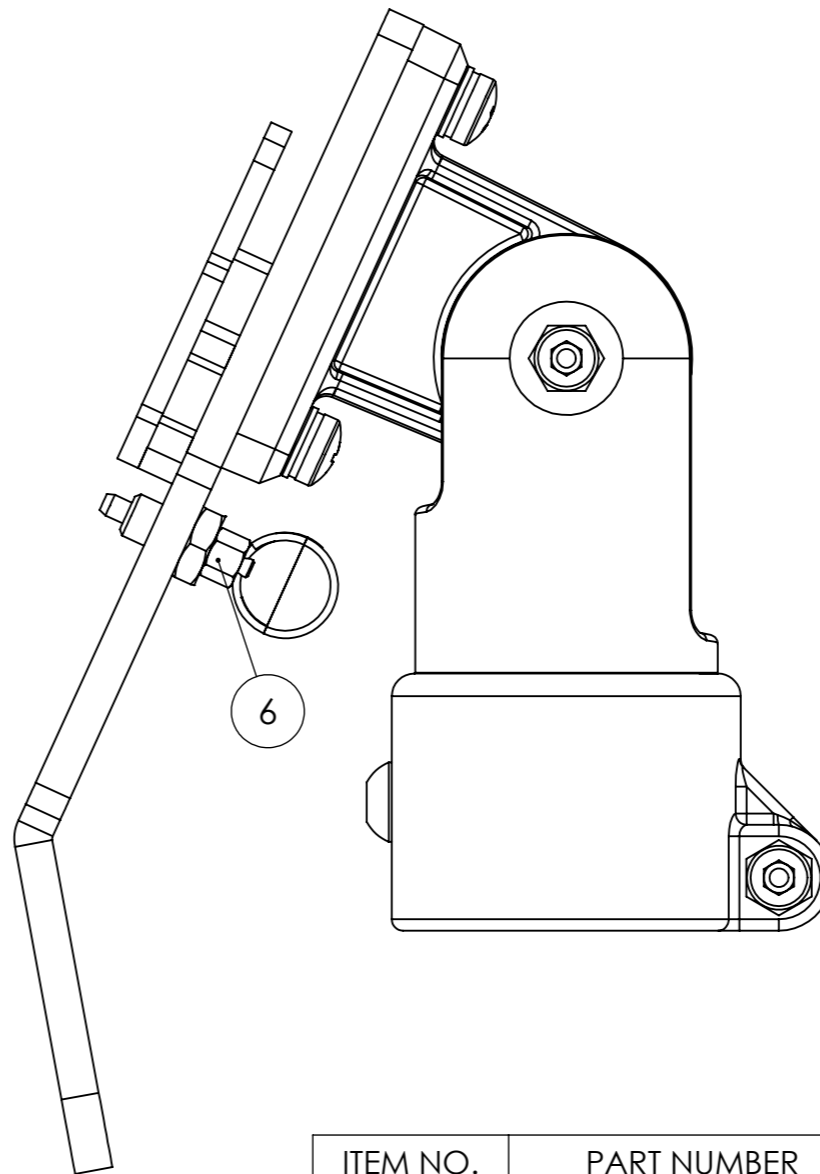
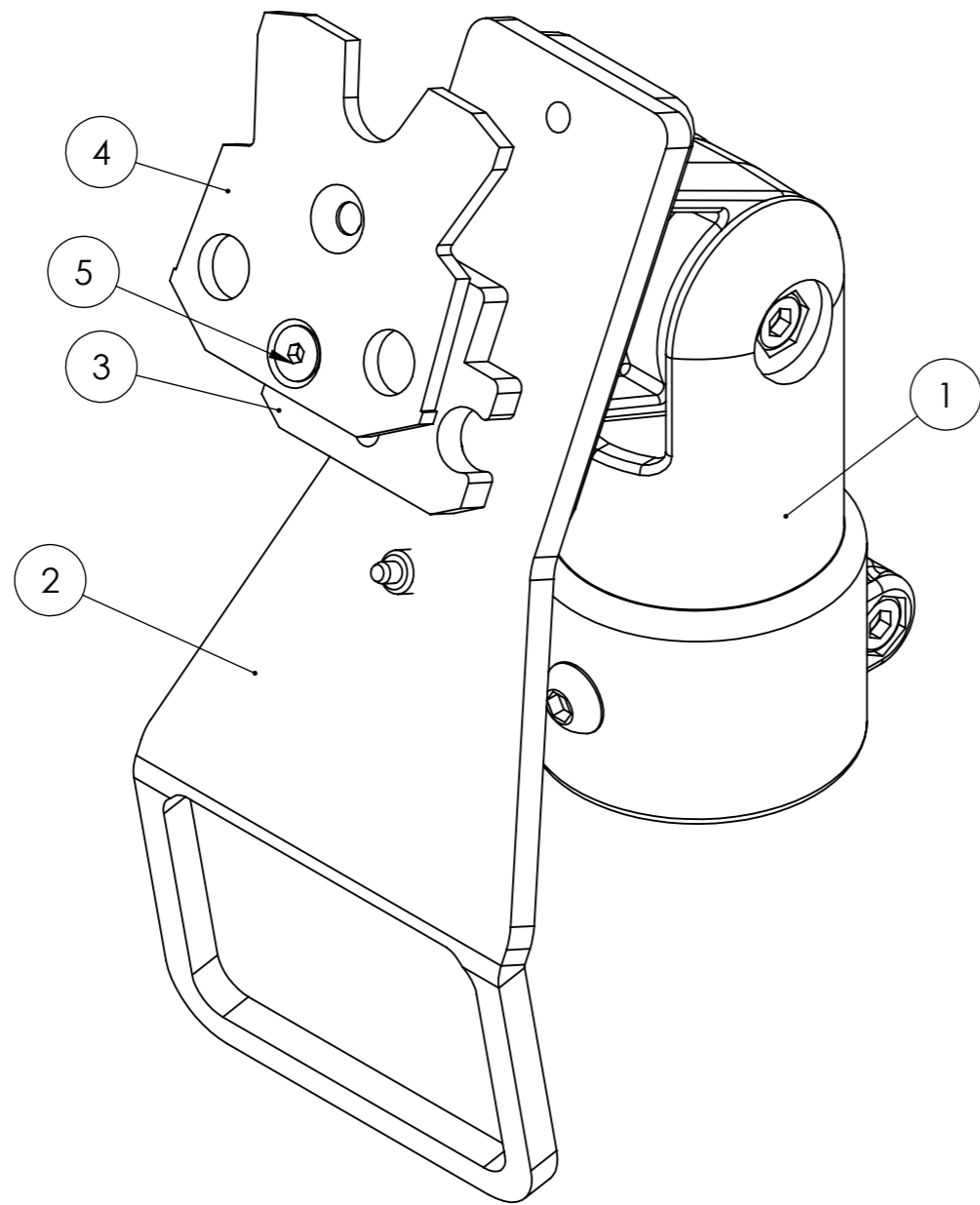
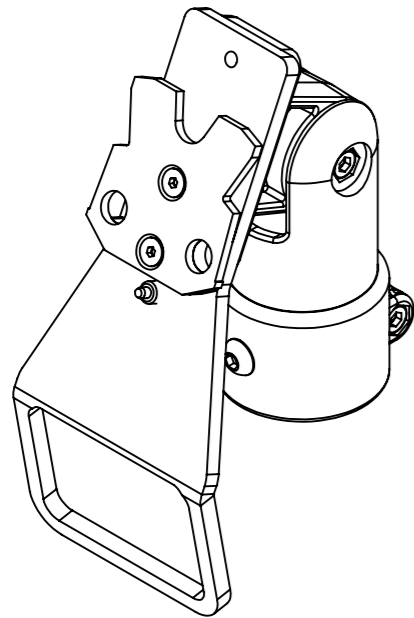


8 7 6 5 4 3 2 1

F
E
D
C
B
A



ITEM NO.	PART NUMBER	DESCRIPTION	QTY.
1	3278-HPC-KRON-PIN-SUR	Plastic hinge	1
2	06597-LANE-3000-FIX-HANDLE-GAM-P		1
3	06261-LANE-3000-5000-7000-MID-GAM-P		1
4	06258-LANE-3000-5000-7000-TOP-GAM-P		1
5	DIN 7991 - M4 x 12 --- 12N		2
6	Indexing plunger GN 717-3-M6-A-ST (closed)		1

UNLESS OTHERWISE SPECIFIED: DIMENSIONS ARE IN MILLIMETERS SURFACE FINISH: TOLERANCES: LINEAR: ANGULAR:		FINISH:	DEBURR AND BREAK SHARP EDGES	DO NOT SCALE DRAWING	REVISION A-02
NAME	SIGNATURE	DATE		TITLE: 06649-LANE-3000-HANDLE-38	
DRAWN		2019-10-08		DWG NO. 06649	
CHK'D				A3	
APPV'D				SCALE:1:2	
MFG				SHEET 1 OF 1	
Q.A			MATERIAL: - mm		
			WEIGHT:		

8 7 6 5 4 3 2 1