

| ITEM NO. | PART NUMBER               | DESCRIPTION                           | QTY. |
|----------|---------------------------|---------------------------------------|------|
| 1        | 00034-HAND-SWIV-1-SUR     | Swivel hand base part                 | 1    |
| 2        | 00044-HAND-SWIV-PIN-2-SUR | Swivel hand part for terminal holders | 1    |

  
**HPC System LTD**  
 Ringuvos str. 51A  
 LT-45234 Kaunas Lithuania  
 +370 698 38041  
 E-mail: [info@hpcsystem.lt](mailto:info@hpcsystem.lt)  
[www.hpcsystem.lt](http://www.hpcsystem.lt)

UNLESS OTHERWISE SPECIFIED:  
 DIMENSIONS ARE IN MILLIMETERS  
 SURFACE FINISH:  
 TOLERANCES:  
 LINEAR:  
 ANGULAR:

FINISH:

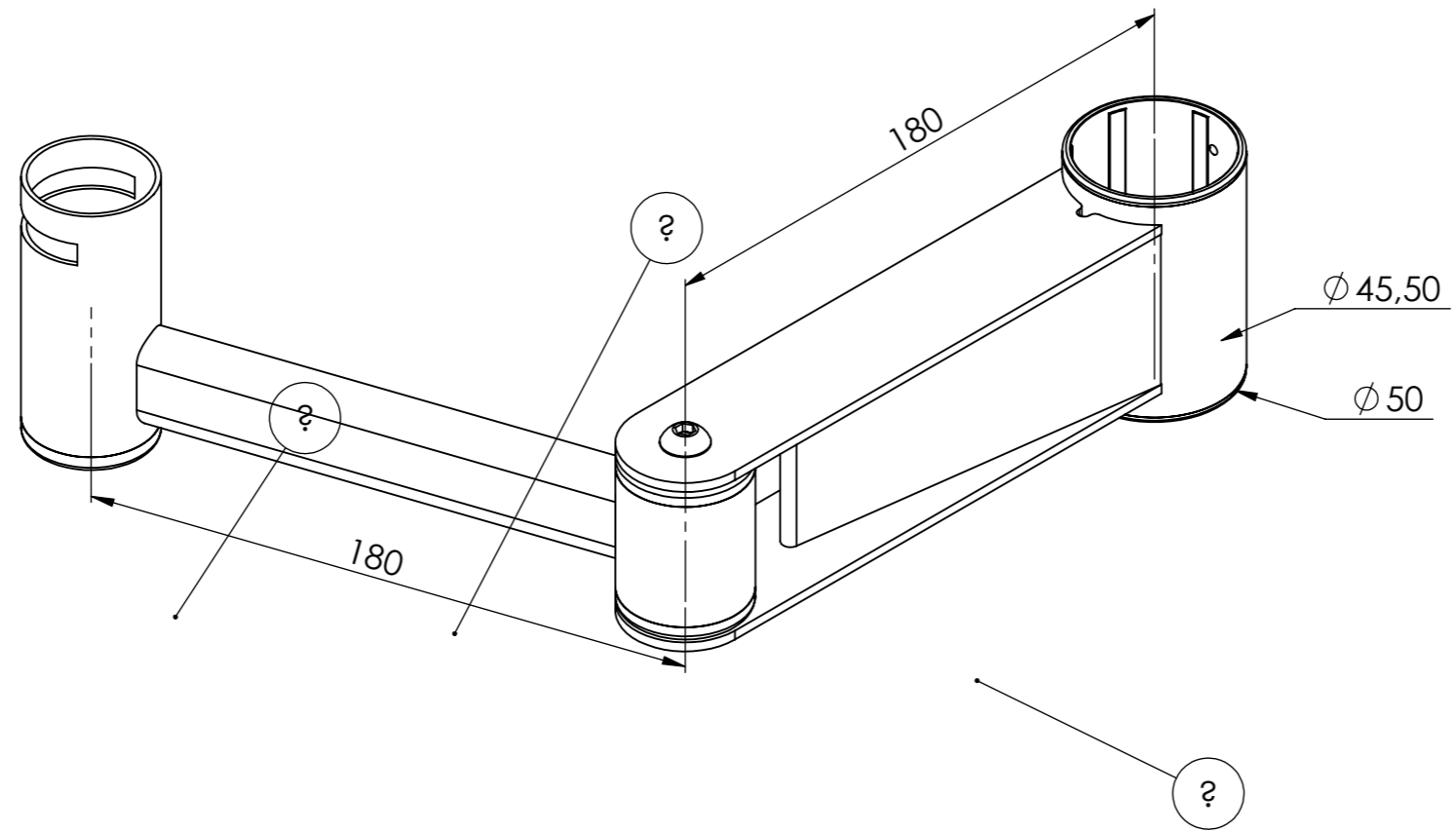
DEBURR AND  
 BREAK SHARP  
 EDGES

DO NOT SCALE DRAWING

REVISION A-05

| NAME   | SIGNATURE | DATE       |           |      |  |
|--------|-----------|------------|-----------|------|--|
| DRAWN  |           | 2019-02-25 |           |      |  |
| CHK'D  |           |            |           |      |  |
| APPV'D |           |            |           |      |  |
| MFG    |           |            |           |      |  |
| Q.A    |           |            |           |      |  |
|        |           |            | MATERIAL: |      |  |
|        |           |            |           | - mm |  |
|        |           |            | WEIGHT:   |      |  |

|   |              |
|---|--------------|
| TITLE:<br><b>3754-HAND-SWIV-R-PIN-SUR</b> |              |
| DWG NO.<br><b>3754</b>                    | A3           |
| SCALE:1:5                                 | SHEET 1 OF 2 |



| ITEM NO.               | Number | DESCRIPTION   | QTY. |
|------------------------|--------|---|------|
| 1                      | 00034  | Swivel hand base part                                       | 1    |
| 2                      | 00044  | Swivel hand part for terminal holders                       | 1    |
| DWG NO.<br><b>3754</b> |        | PART NAME<br>Swivel hand for terminal holders<br>right side |      |
|                        |        | A3  |      |
|                        |        | A-05  |      |