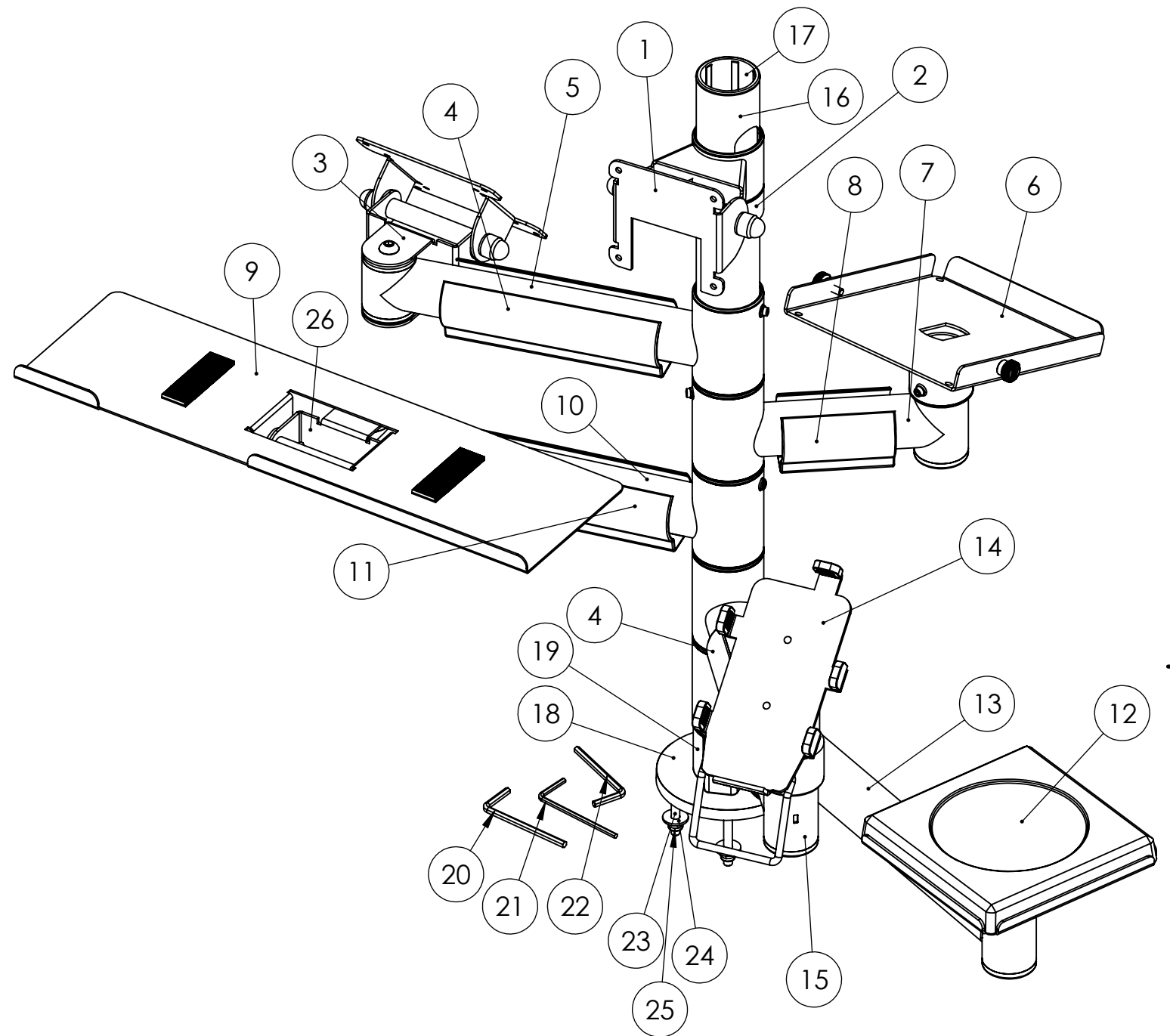


ITEM NO.	PART NUMBER	DESCRIPTION	QTY.
1	05470-VESA75-TRUM-CUT-SUR		1
2	3722-03985-FIX-RING-SUR	Height fixing ring	1
3	04386-REINF-VESA-HOLDER-SUR		1
4	02051-WIRE-HOLDER-L160		2
5	3506-HAND-REINF-250-SUR	Hand for heavy duty holders 250 mm lenght	1
6	04200-PRINT-HOLD-150-3E-SUR		1
7	03490-HAND-PRINT-FIX-150-SUR		1
8	02049-WIRE-HOLDER-L80	80 mm length plastic wire holder	1
9	05174-KEYB-PAD-430x125-REINF-SUR	Keyboard holder with axis	1
10	03127-HAND-REINF-270-SUR		1
11	02052-WIRE-HOLDER-L200	200 mm length plastic wire holder	1
12	01478-CASH-PLATE-HOLDER-SUR		1
13	01279-HAND-PRINT-FIX-350-SUR		1
14	00239-Vx805-CTLS-38		1
15	3579-HAND-PIN-FIX-SUR 250	Hand for transaction terminal holders 250 mm length	1
16	01022-PAST_STOV-600-DAZ	Painted 600 mm high stand	1
17	3450	Plastic bush 38-42-35	1
18	3583	Plastic cover of stand D45	1
19	3449-02898-LAIDO-LAIK	Wire holder	1
20	2263-DIN911 SW 4	Key for ISO 7380 M6x50	1
21	3065-KEY-DIN911-SW3-ZN	Key for DIN 916 M6x6	1
22	3961-DIN911-SW5	DIN 911 SW-5-ZN	1
23	ISO 7380 - M6 x 50 - 50N	ISO 7380 - M4 x 8 - 8N	4
24	Washer DIN 9021 - 6.4		4
25	DIN 985 - M6 - N	DIN 985 - M6 - N	4
26	02253-KEYBOARD-HOLD-SUR	Keyboard holder with axis	1



UNLESS OTHERWISE SPECIFIED: DIMENSIONS ARE IN MILLIMETERS SURFACE FINISH: TOLERANCES: LINEAR: ANGULAR:		FINISH:		DEBURR AND BREAK SHARP EDGES		DO NOT SCALE DRAWING		REVISION A-02	
DRAWN		SIGNATURE		DATE		TITLE: 05469-STAND-18012019			
CHK'D									
APPV'D									
MFG									
Q.A				MATERIAL: - mm		DWG NO. 05469		A3	
				WEIGHT:		SCALE:1:10		SHEET 1 OF 1	