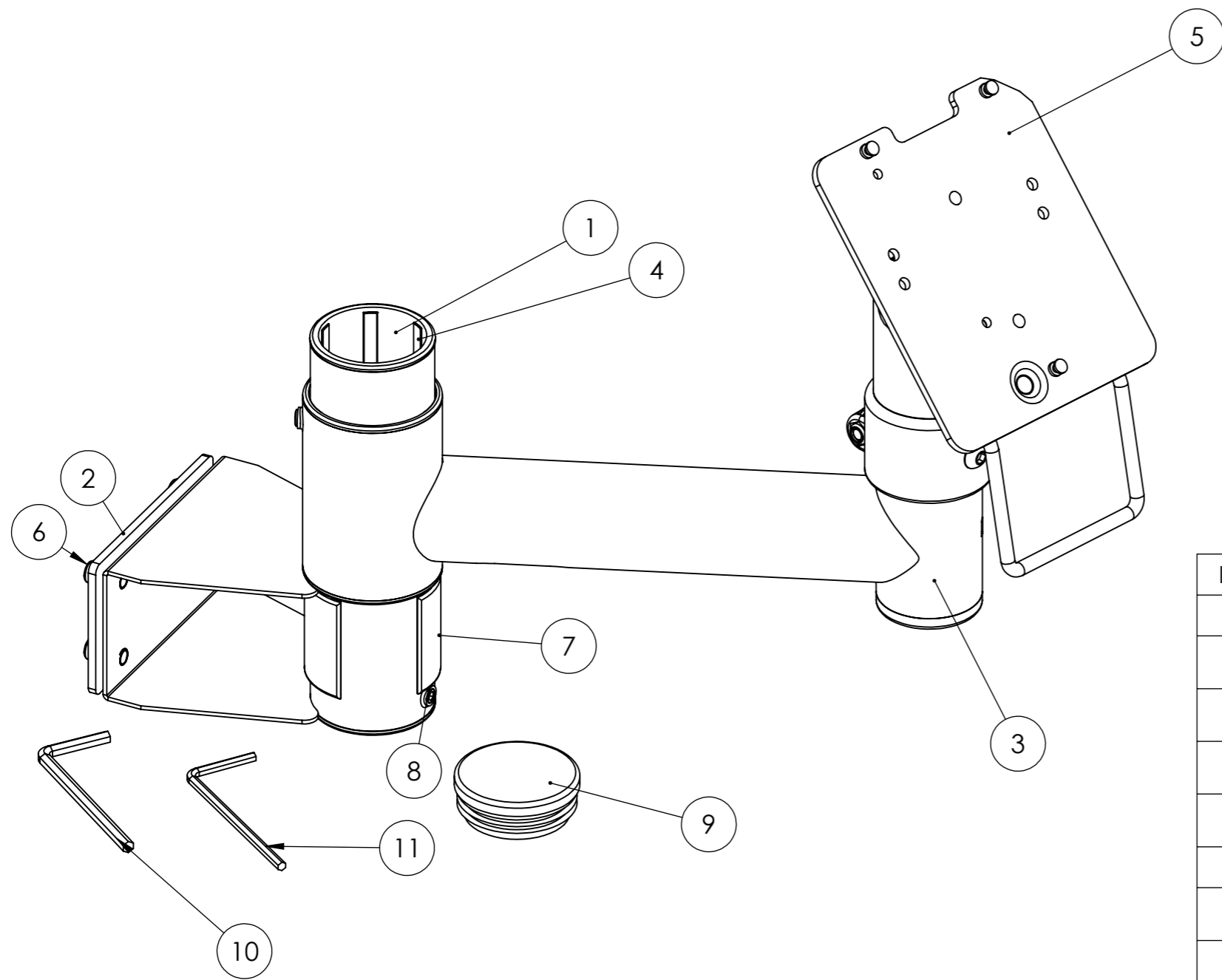


8 7 6 5 4 3 2 1

F
E
D
C
B
A



ITEM NO.	PART NUMBER	DESCRIPTION	QTY.
1	3450	Plastic bush 38-42-35	2
2	01460-STAND-FIX-PLATE-GAM-P		1
3	01427-HAND-PIN-200-SP-SUR		1
4	01436-STOV-WALL-DAZ		1
5	01440-VER-MX925-MX915-38		1
6	2815-DIN985-M5		4
7	3449 - Laido laikiklis_V2	Wire holder	1
8	DIN 916 - M6 x 8-N		1
9	3637 - D45 KamstisV2	Plastic cork D45	1
10	2263-DIN911 SW 4	DIN 911 SW4-ZN	1
11	3065-KEY-DIN911-SW3-ZN		1

UNLESS OTHERWISE SPECIFIED: DIMENSIONS ARE IN MILLIMETERS SURFACE FINISH: TOLERANCES: LINEAR: ANGULAR:			FINISH:		DEBURR AND BREAK SHARP EDGES		DO NOT SCALE DRAWING		REVISION A-03		
DRAWN			SIGNATURE		DATE		TITLE: 01464-PINUS-STAND-22042016-2				
CHK'D											
APPV'D											
MFG											
Q.A							MATERIAL: - mm		DWG NO. 01464		
							WEIGHT:		SCALE:1:5		
									SHEET 1 OF 1		

8 7 6 5 4 3 2 1

F
E
D
C
B
A