

4

3

2

1

F

F

E

E

D

D

C

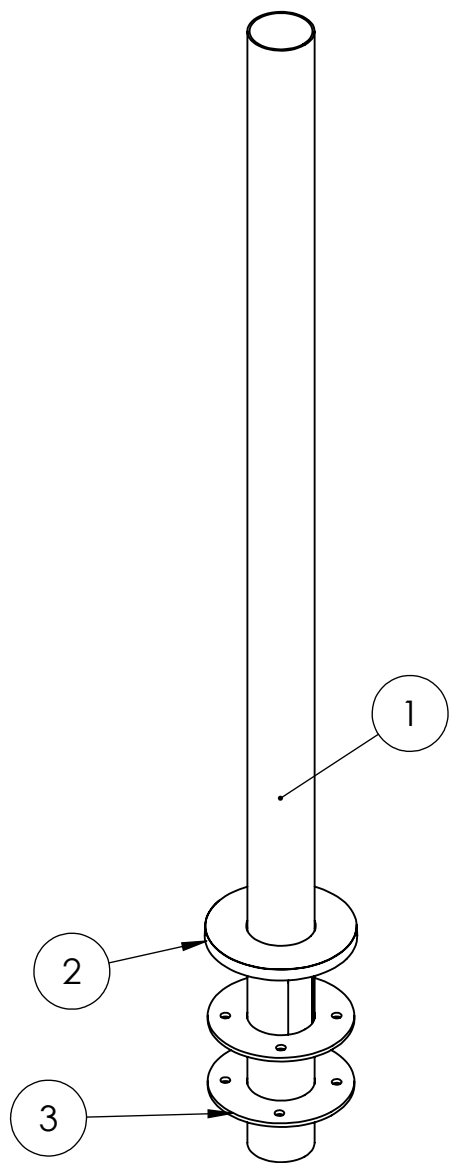
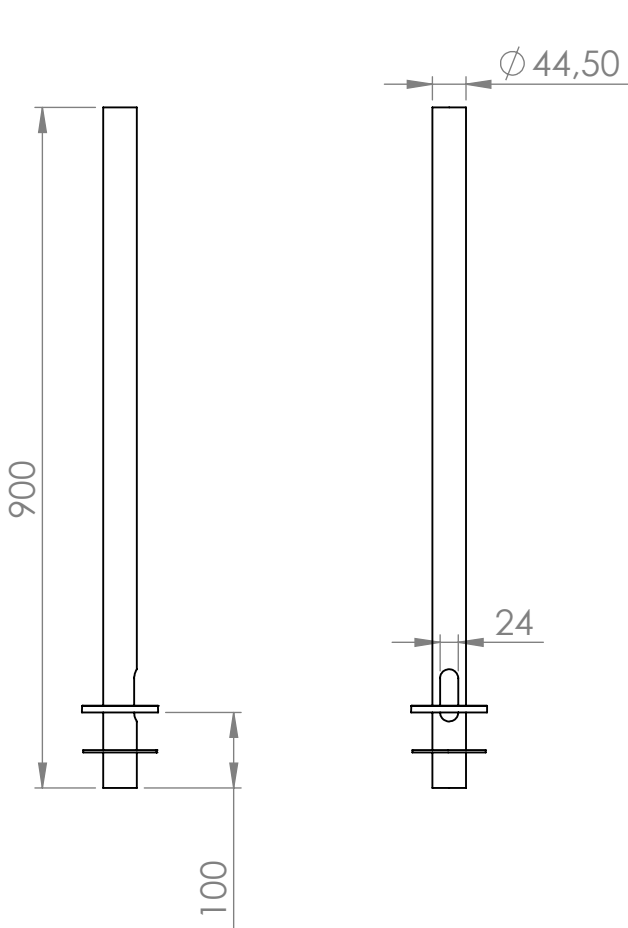
C

B

B

A

A



ITEM NO.	PART NUMBER	DESCRIPTION	QTY.
1	00290-PAST_STOV-44.5-800-DAZ		1
2	3583	Plastic cover of stand D45	1
3	00025-SPP-45 pagrindas stovui	D45	1

UNLESS OTHERWISE SPECIFIED:  
 DIMENSIONS ARE IN MILLIMETERS  
 SURFACE FINISH:  
 TOLERANCES:  
 LINEAR:  
 ANGULAR:

FINISH:

DEBURR AND BREAK SHARP EDGES

DO NOT SCALE DRAWING

REVISION

A-02

NAME	SIGNATURE	DATE
DRAWN		2015-10-07
CHK'D		
APPV'D		
MFG		
Q.A		

TITLE:

00291-PAST\_STOV-44.5-800-SUR

MATERIAL:

- mm

DWG NO.

00291

A4

WEIGHT:

SCALE:1:10

SHEET 1 OF 1

4

3

2

1