

4

3

2

1

F

F

E

E

D

D

C

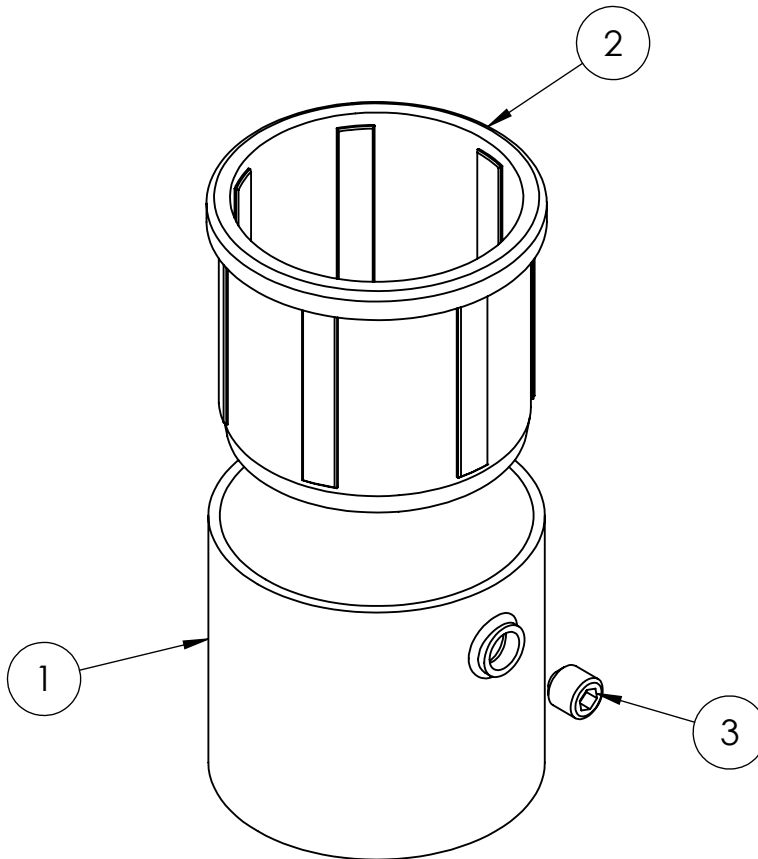
C

B

B

A

A



ITEM NO.	PART NUMBER	DESCRIPTION	QTY.
1	00225-FIX-RING-D44.5-DAZ		1
2	3450	Plastic bush 38-42-35	1
3	DIN 916 - M6 x 6-N	DIN 916 - M6 x 6-N	1

UNLESS OTHERWISE SPECIFIED:
 DIMENSIONS ARE IN MILLIMETERS
 SURFACE FINISH:
 TOLERANCES:
 LINEAR:
 ANGULAR:

FINISH:

DEBURR AND
BREAK SHARP
EDGES

DO NOT SCALE DRAWING

REVISION A-01

	NAME	SIGNATURE	DATE	
DRAWN				
CHK'D				
APPV'D				
MFG				
Q.A				

TITLE:

MATERIAL:

DWG NO.

00223-FIX-RING-D44.5-SUR

A4

WEIGHT:

SCALE:1:2

SHEET 1 OF 1

4

3

2

1