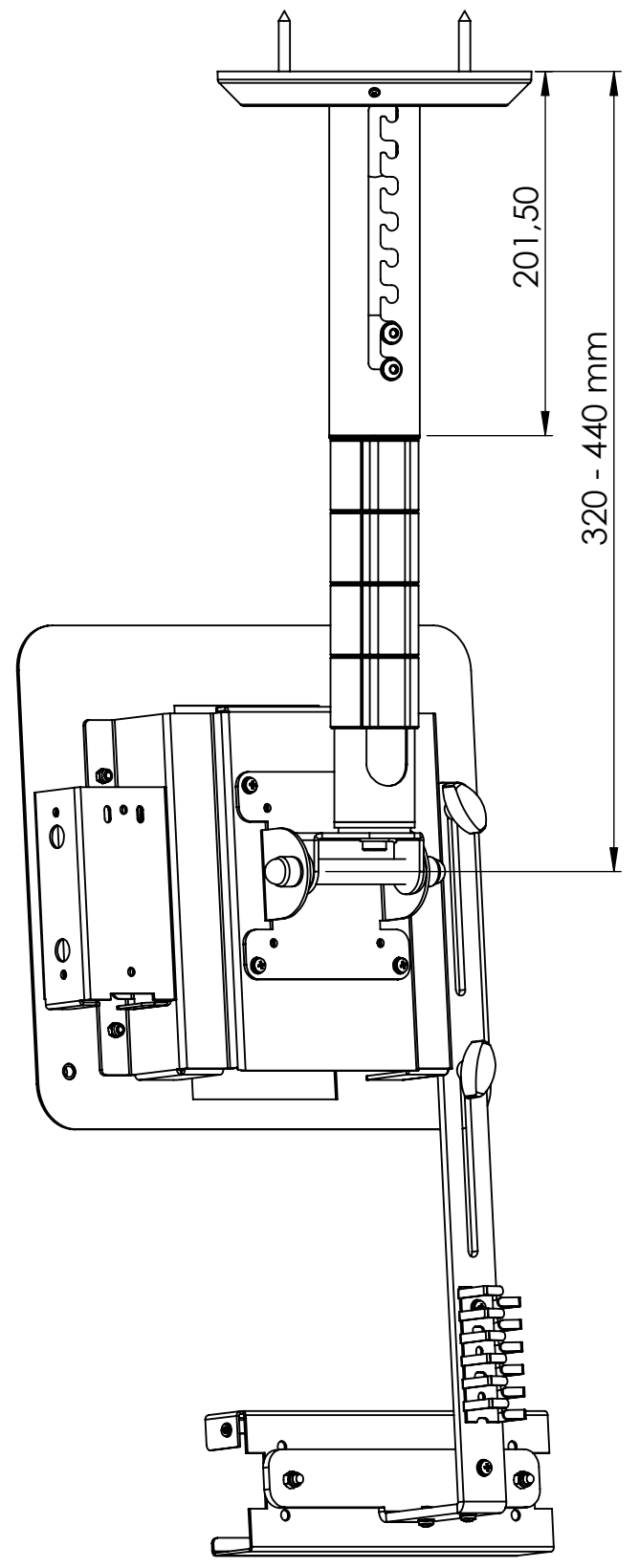


ITEM NO.	PART NUMBER	DESCRIPTION	QTY.
1	04245-CEILING-STAND-13112017		1
2	04231-COMPUTER-BOX-DAZ		1
3	04211-COMPUTER-MID-PLATE-DAZ		1
4	04219-VESA-HOLD-PLATE-DAZ		1
5	04220-VESA-PLATE-SPECIAL-GAM-P	Plate for display	1
6	04212-POWER-SUPPLY-GAM-P		1
7	04204-CONTROL-BLOCK-BOX-GAM-P		1
8	04207-CONTROL-BOX-HOLDER-GAM-P		1
9	DIN 967 - M5 x 16 - Z - -- 14.4N	DIN 967 - M5 x 16 - Z --- 14.4N	2
10	2815-DIN985-M5		2
11	04404-CTL.476-30 p-M6x16		2
12	DIN 7985 M4x10	DIN 7985 M4x10	4
13	Washer DIN 125 - A 4.3		9
14	DIN 985 - M4 - N		6
15	DIN 7985 M4x12	DIN 7985 M4x12	1
16	04405-RX1313-0	200 mm	1
17	DIN 7985 - M4 x 8 - Z - -- 8N		4

UNLESS OTHERWISE SPECIFIED: DIMENSIONS ARE IN MILLIMETERS SURFACE FINISH: TOLERANCES: LINEAR: ANGULAR:			FINISH:		DEBURR AND BREAK SHARP EDGES		DO NOT SCALE DRAWING		REVISION A-06		
DRAWN			SIGNATURE		DATE		TITLE: 04243-STAND-13112017				
CHK'D					2018-04-17						
APPV'D											
MFG											
Q.A							MATERIAL: - mm		DWG NO. 04243		
							WEIGHT:		SCALE:1:10		SHEET 1 OF 2



UNLESS OTHERWISE SPECIFIED: DIMENSIONS ARE IN MILLIMETERS SURFACE FINISH: TOLERANCES: LINEAR: ANGULAR:			FINISH:		DEBURR AND BREAK SHARP EDGES		DO NOT SCALE DRAWING		REVISION A-06		
DRAWN			NAME		SIGNATURE		DATE		TITLE:  04243-STAND-13112017		
CHK'D											
APPV'D											
MFG											
Q.A							MATERIAL:  - mm		DWG NO.  04243		A3
							WEIGHT:		SCALE:1:10		SHEET 2 OF 2