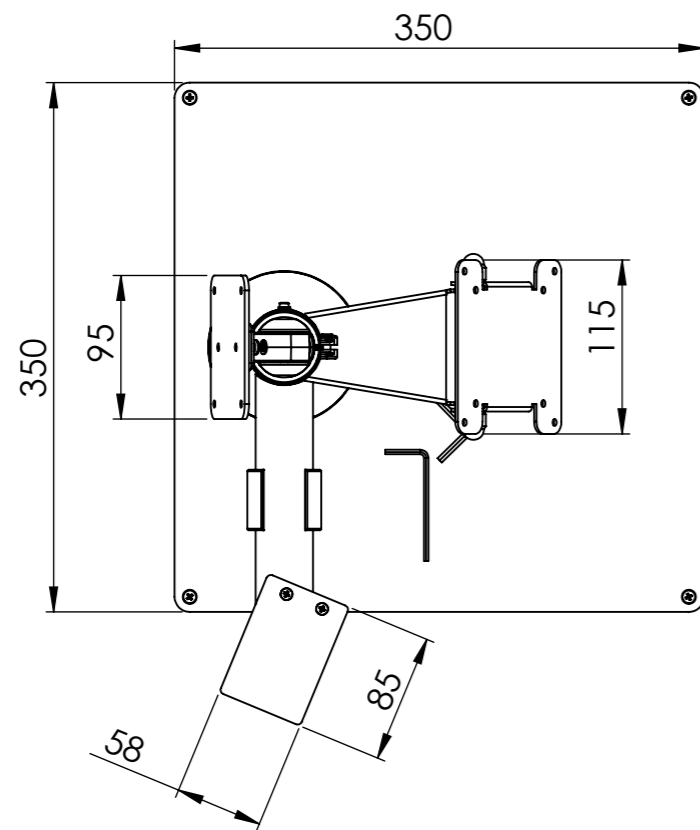
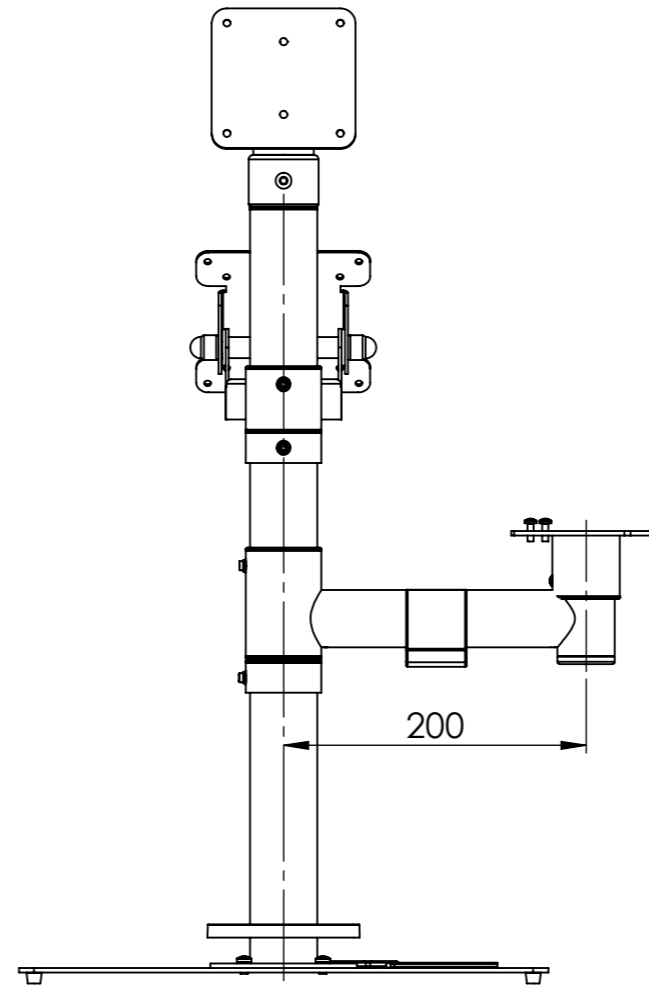
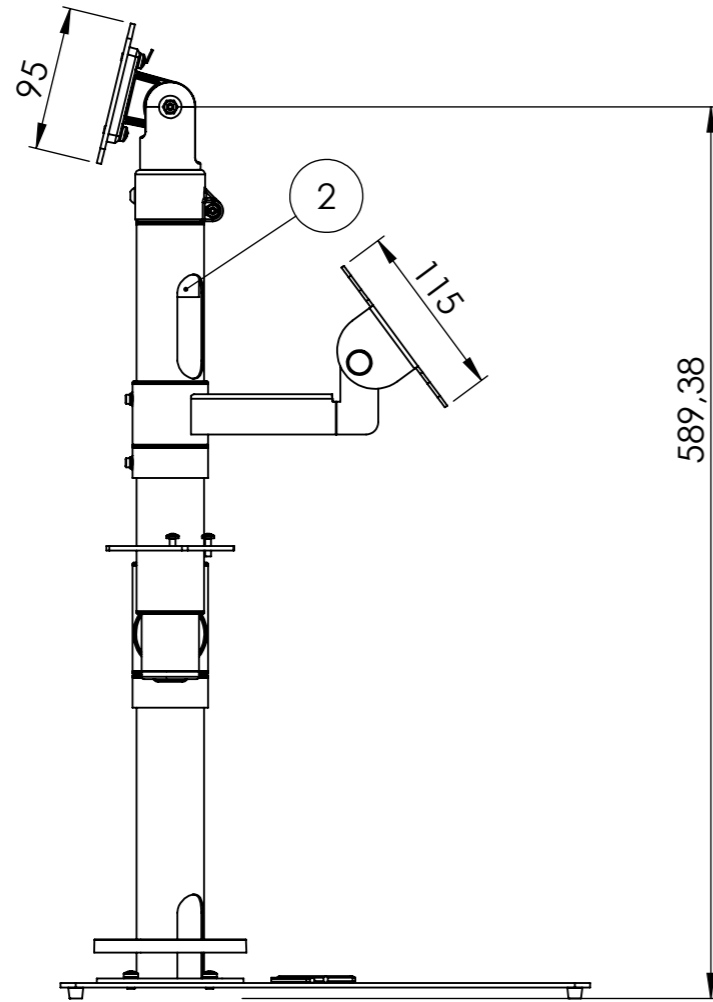


ITEM NO.	PART NUMBER	DESCRIPTION	QTY.
1	3784-VESA-75-38-SUR		1
2	3470-VESA-TOP-DISP-DAZ		1
3	3673-VESA-REINF-SUR	Vesa heavy duty for stand 75/100	1
4	00905-SCAN-PSCMG1000i-HOLDER-SUR		1
5	02086-HAND-PRINT-FIX-200-SUR		1
6	3449-02898-LAIDO-LAIK	Wire holder	1
7	3722-03985-FIX-RING-SUR	Height fixing ring	2
8	3450	Plastic bush 38-42-35	1
9	00785-PAST_STOV-500-DAZ		1
10	3583	Plastic cover of stand D45	1
11	DIN 7985 M5x8	DIN 7985 M5x8	4
12	Spring washer DIN 127 - A5		4
13	4908-03544-NF-002-413031-DVA.5-10-10-M4-55		4
14	2263-DIN911 SW 4	Key for ISO 7380 M6x50	1
15	3065-KEY-DIN911-SW3-ZN	Key for DIN 916 M6x6	1
16	03541-SPP-350x350-FOOT-HOLE-GAM-P		1
17	DIN 965 - M4 x 8 - Z - 8N		4
18	806-DIN934 M4-ZN		4

UNLESS OTHERWISE SPECIFIED: DIMENSIONS ARE IN MILLIMETERS SURFACE FINISH: TOLERANCES: LINEAR: ANGULAR:		FINISH:	DEBURR AND BREAK SHARP EDGES	DO NOT SCALE DRAWING	REVISION A-05
NAME	SIGNATURE	DATE		TITLE:  03546-STAND-12042017	
DRAWN		2018-03-30			
CHK'D					
APPV'D					
MFG					
Q.A			MATERIAL:  - mm	DWG NO.  03546	A3
			WEIGHT:	SCALE:1:10	SHEET 1 OF 2



UNLESS OTHERWISE SPECIFIED: DIMENSIONS ARE IN MILLIMETERS SURFACE FINISH: TOLERANCES: LINEAR: ANGULAR:				FINISH:		DEBURR AND BREAK SHARP EDGES		DO NOT SCALE DRAWING		REVISION A-05	
DRAWN				NAME		SIGNATURE		DATE		TITLE: 03546-STAND-12042017	
CHK'D											
APPV'D											
MFG											
Q.A								MATERIAL: - mm		DWG NO. 03546	
								WEIGHT:		SCALE:1:10	
										SHEET 2 OF 2	