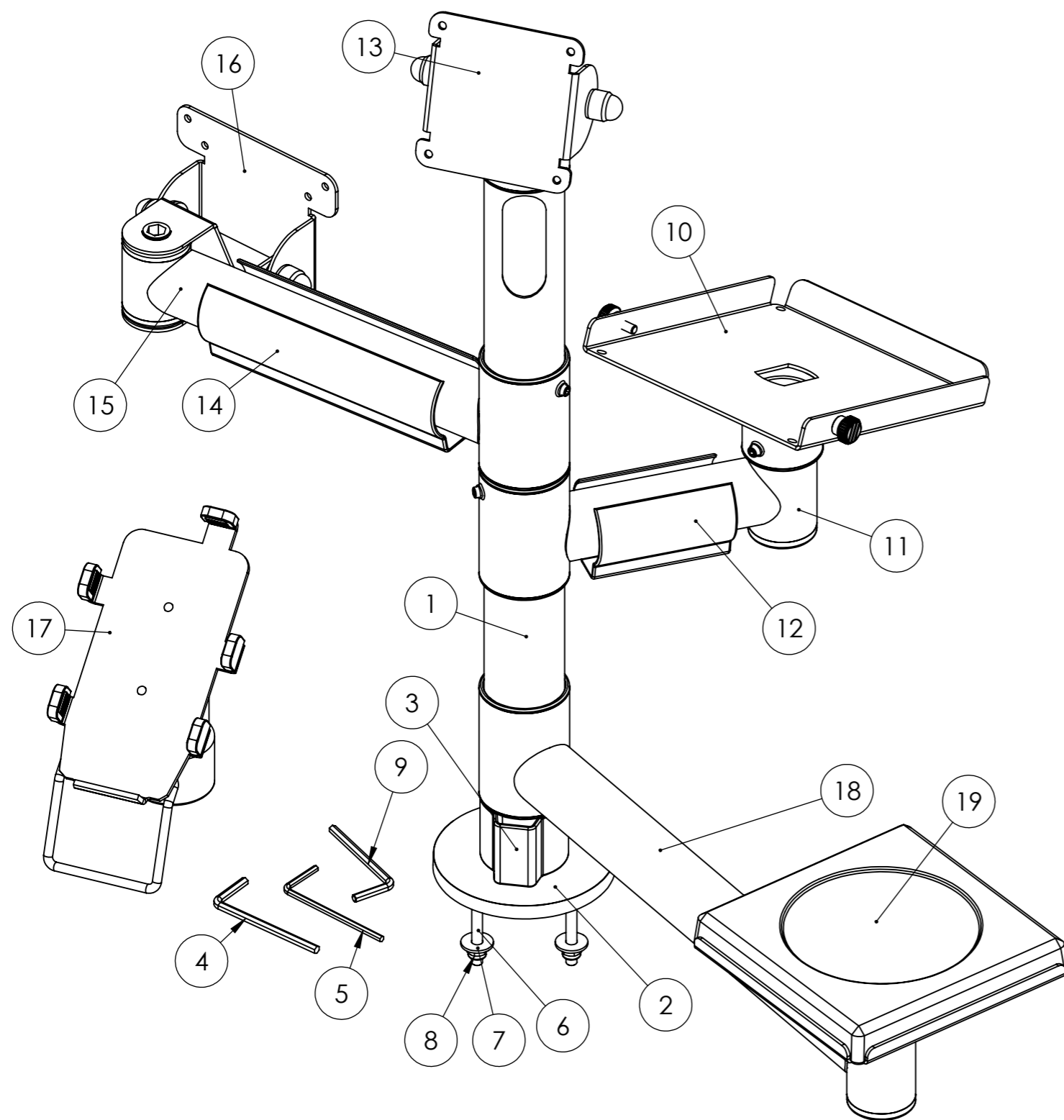


8 7 6 5 4 3 2 1

F
E
D
C
B
A



ITEM NO.	PART NUMBER	DESCRIPTION	QTY.
1	00785-PAST_STOV-500-DAZ		1
2	3583	Plastic cover of stand D45	1
3	3449-02898-LAIDO-LAIK	Wire holder	1
4	2263-DIN911 SW 4	Key for ISO 7380 M6x50	1
5	3065-KEY-DIN911-SW3-ZN	Key for DIN 916 M6x6	1
6	ISO 7380 - M6 x 50 - 50N	ISO 7380 - M6 x 50	4
7	DIN 9021 - 6.4	DIN 9021 - 6.4	4
8	DIN 985 - M6 - N	DIN 985 - M6 - N	4
9	3961-DIN911-SW5	DIN 911 SW-5-ZN	1
10	00183-PRINT-HOLD-147-SUR		1
11	03490-HAND-PRINT-FIX-150-SUR		1
12	02049-WIRE-HOLDER-L80	80 mm length plastic wire holder	1
13	03634-VESA75-REINF-TOP-SUR		1
14	02051-WIRE-HOLDER-L160		1
15	04385-HAND-REINF-250-SUR	Hand for heavy duty holders 250 mm length	1
16	04386-REINF-VESA-HOLDER-SUR		1
17	00239-Vx805-CTLS-38		1
18	01279-HAND-PRINT-FIX-350-SUR		1
19	01478-CASH-PLATE-HOLDER-SUR		1

UNLESS OTHERWISE SPECIFIED: DIMENSIONS ARE IN MILLIMETERS SURFACE FINISH: TOLERANCES: LINEAR: ANGULAR:		FINISH:	DEBURR AND BREAK SHARP EDGES	DO NOT SCALE DRAWING	REVISION A-01
NAME	SIGNATURE	DATE		TITLE: 04505-STAND-06022018	
DRAWN		2018-02-04			
CHK'D					
APPV'D					
MFG					
Q.A			MATERIAL: - mm	DWG NO. 04505	A3
			WEIGHT:	SCALE:1:10	SHEET 1 OF 1

8 7 6 5 4 3 2 1