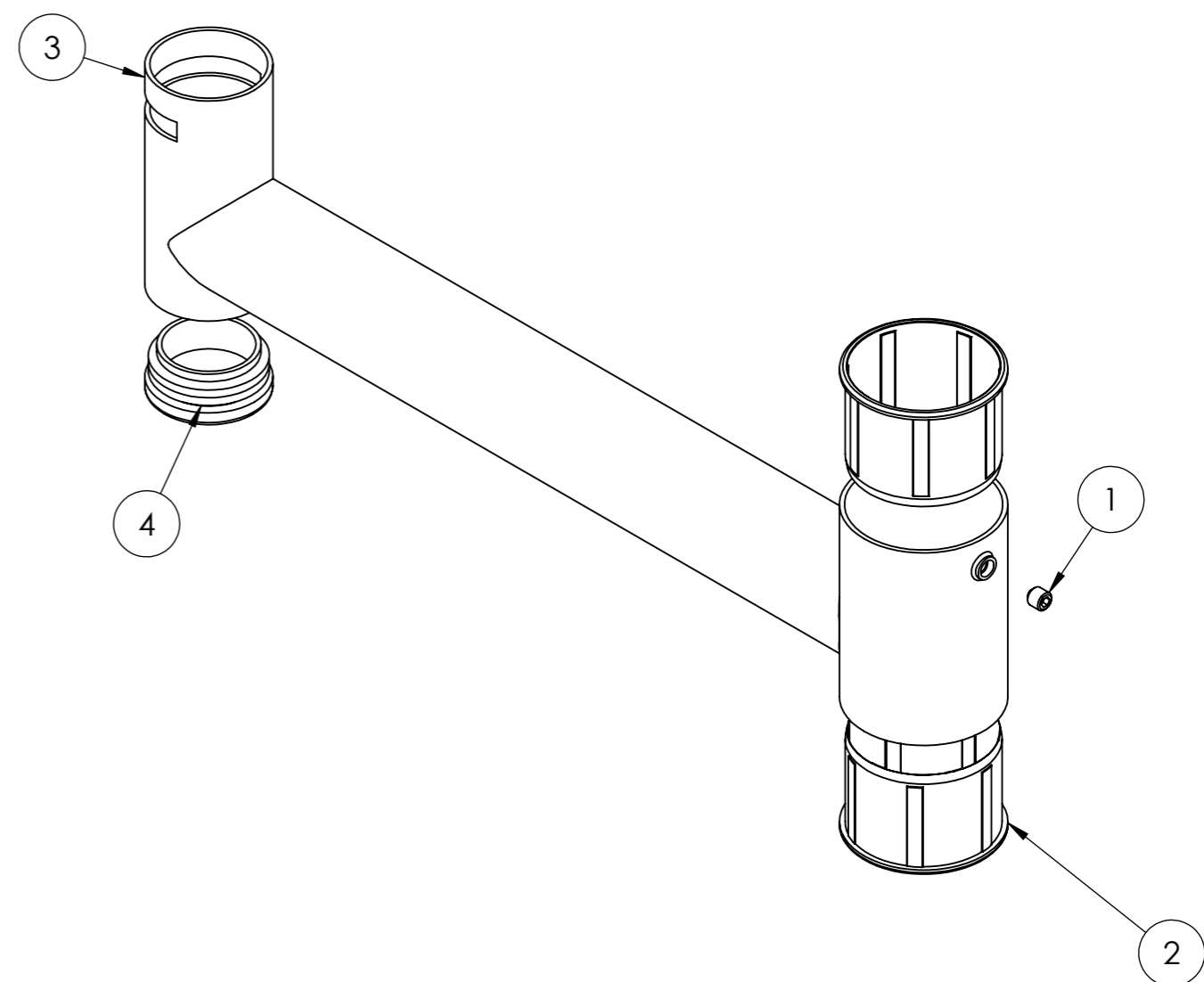
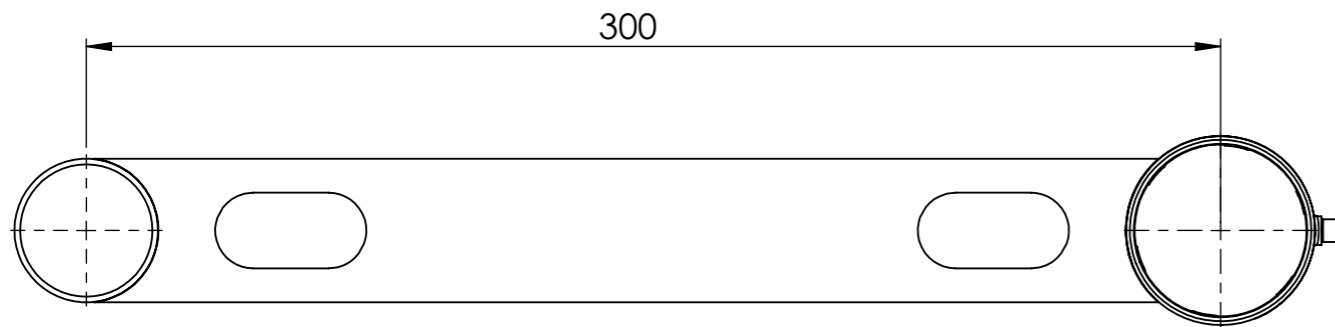
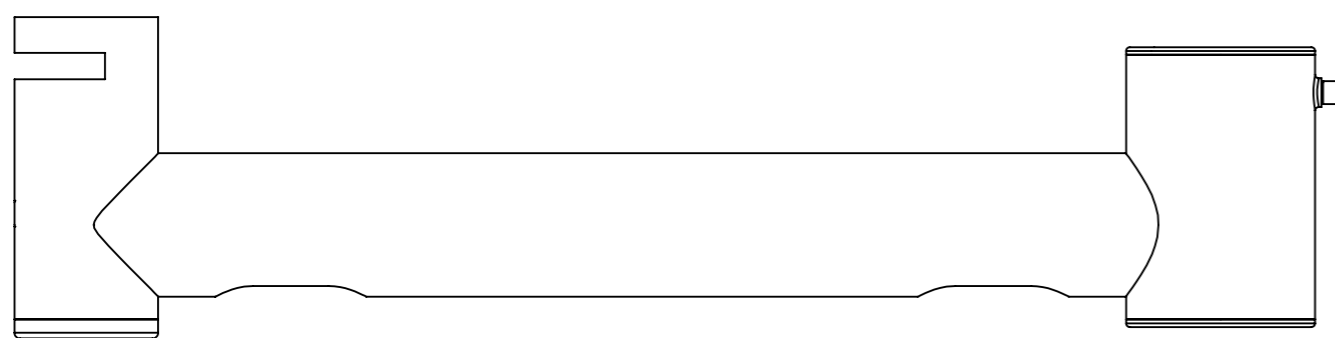


8 7 6 5 4 3 2 1

F
E
D
C
B
A



ITEM NO.	PART NUMBER	DESCRIPTION	QTY.
1	DIN 916 - M6 x 6-N	DIN 916 - M6 x 6-N	1
2	3493 - Plastmasine mova V45 L47 A35	Plastic bush 45-47-35	2
3	00686-HAND-PIN-FIX-300-DAZ	Hand for transaction terminal holders 300 mm length	1
4	3372 - D38 KamstisV2	Plastic cork D38	1

UNLESS OTHERWISE SPECIFIED: DIMENSIONS ARE IN MILLIMETERS SURFACE FINISH: TOLERANCES: LINEAR: ANGULAR:		FINISH:	DEBURR AND BREAK SHARP EDGES	DO NOT SCALE DRAWING	REVISION A-02
NAME	SIGNATURE	DATE		TITLE:	
DRAWN		2016-10-13		00688-HAND-PIN-FIX-WIRE-HOLES-300-SUR	
CHK'D					
APPV'D					
MFG					
Q.A			MATERIAL:	DWG NO.	A3
			- mm	00688	
			WEIGHT:	SCALE:1:5	SHEET 1 OF 1

8 7 6 5 4 3 2 1