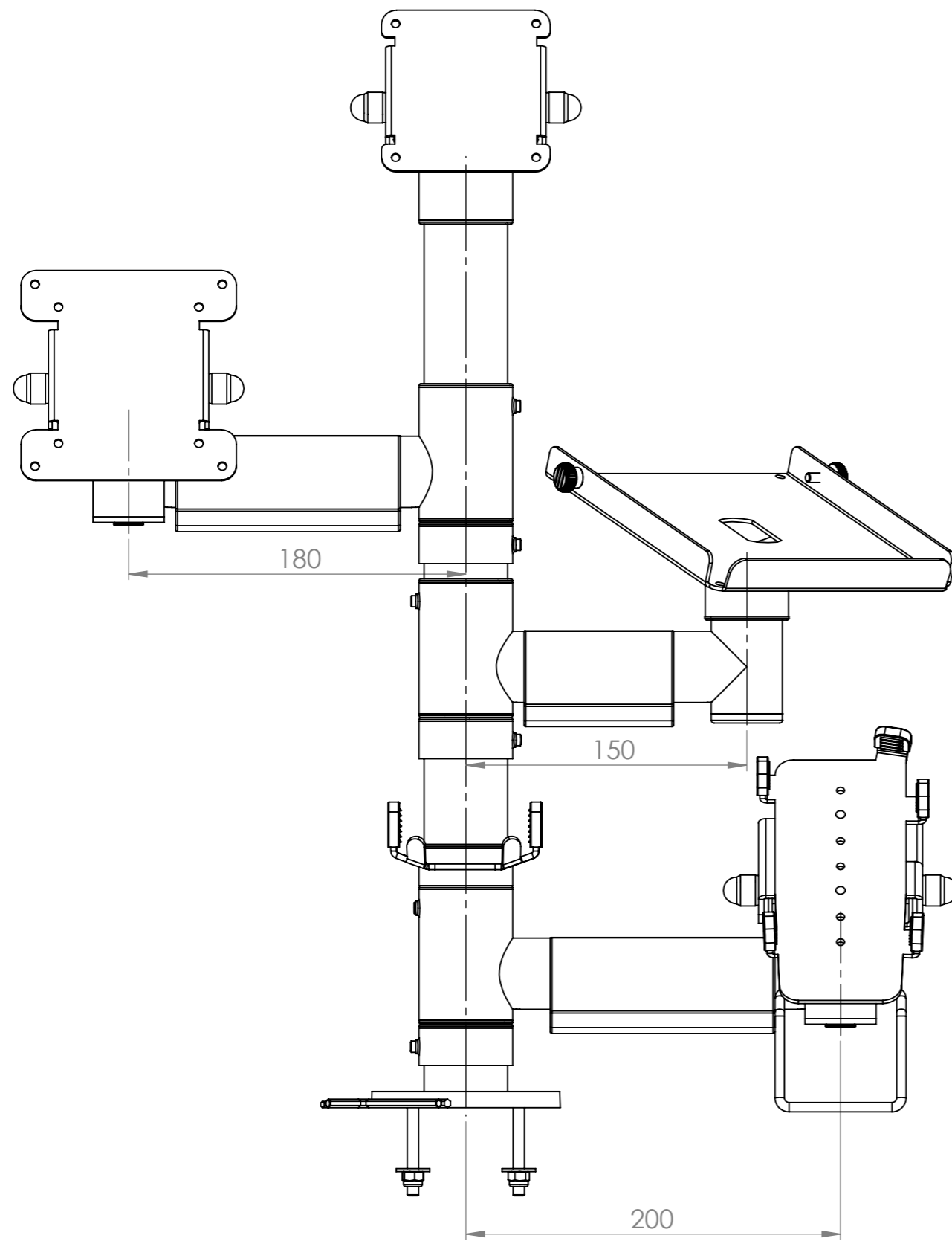


ITEM NO.	PART NUMBER	DESCRIPTION	Default/ QTY.
1	03634-VESA75-REINF-TOP-SUR		1
2	07515-PAST_STOV-500-4x56.5-DAZ		1
3	3746-06352-HAND-REINF-180-SUR	Hand for heavy duty holders 180 mm length	1
4	02050-WIRE-HOLDER-L120	120 mm length plastic wire holder	2
5	3693-06302-Reinforced vesa holder	Vesa holder	1
6	00183-PRINT-HOLD-147-SUR		1
7	02049-WIRE-HOLDER-L80	80 mm length plastic wire holder	1
8	03490-HAND-PRINT-FIX-150-SUR		1
9	3722-03985-FIX-RING-SUR	Height fixing ring	3
10	00455-HAND-SCAN-HOLDER-SUR	Scanner holder	1
11	05061-IPP350-HOLD-REINF-SUR	PIN pad holder	1
12	02288-HAND-REINF-200-SUR	200 mm length hand for reinf holders	1
13	ISO 7380 - M6 x 50 - 50N		4
14	Washer DIN 9021 - 6.4		4
15	DIN 985 - M6 - N	DIN 985 - M6 - N	4
16	3583	Plastic cover of stand D45	1
17	2263-DIN911 SW 4	Key for ISO 7380 M6x50	1
18	3065-KEY-DIN911-SW3-ZN	Key for DIN 916 M6x6	1
19	3961-DIN911-SW5	DIN 911 SW-5-ZN	1

UNLESS OTHERWISE SPECIFIED: DIMENSIONS ARE IN MILLIMETERS SURFACE FINISH: TOLERANCES: LINEAR: ANGULAR:		FINISH:	DEBURR AND BREAK SHARP EDGES	DO NOT SCALE DRAWING	REVISION	A-02
NAME	SIGNATURE	DATE	TITLE:			
DRAWN		2022-05-23	10250-STAND-19052022-2			
CHK'D			DWG NO.			
APPV'D			10250			
MFG			MATERIAL:	A3		
Q.A			- mm	SCALE:1:10		
			WEIGHT:	SHEET 1 OF 2		



UNLESS OTHERWISE SPECIFIED: DIMENSIONS ARE IN MILLIMETERS SURFACE FINISH: TOLERANCES: LINEAR: ANGULAR:			FINISH:		DEBURR AND BREAK SHARP EDGES		DO NOT SCALE DRAWING		REVISION		A-02	
											TITLE:	
											10250-STAND-19052022-2	
											DWG NO.	
											10250	
											A3	
											SHEET 2 OF 2	
											SCALE:1:10	
											WEIGHT:	
											- mm	