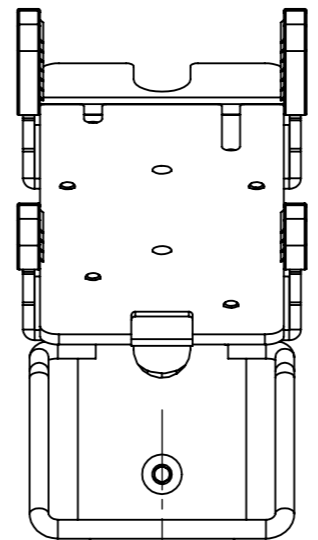
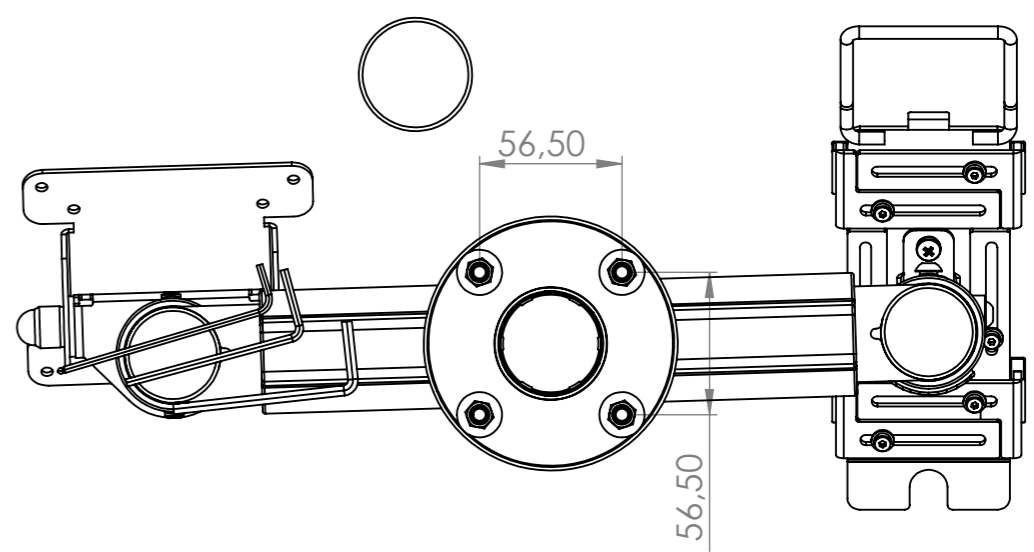
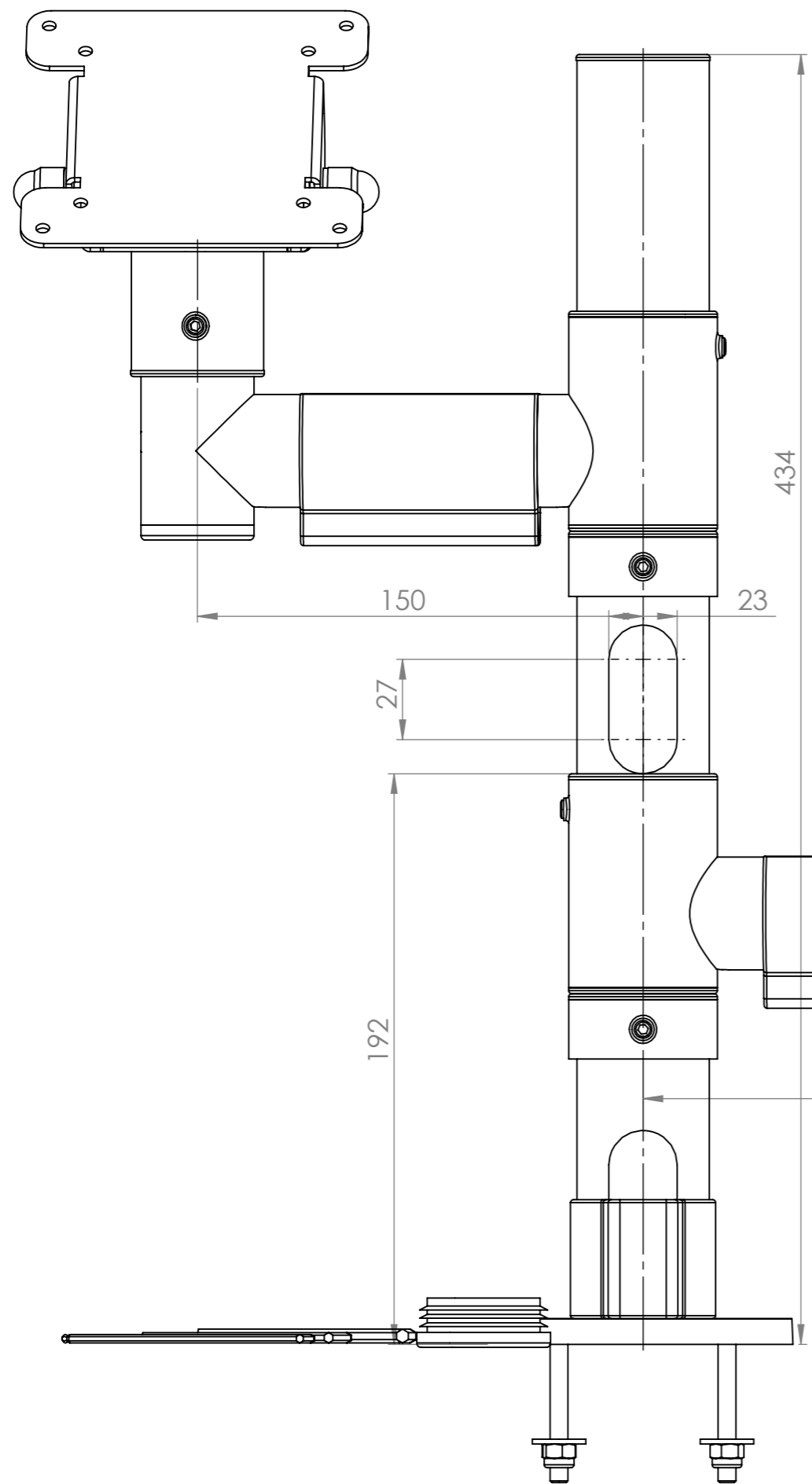


ITEM NO.	PART NUMBER	DESCRIPTION	Stovas D45-L250 su ivore/QTY.
1	3583	Plastic cover of stand D45	1
2	08907-PAST_STOV-430-4x56.5-DAZ		1
3	ISO 7380 - M6 x 50 - 50N		4
4	Washer DIN 9021 - 6.4		4
5	DIN 985 - M6 - N	DIN 985 - M6 - N	4
6	2263-DIN911 SW 4	Key for ISO 7380 M6x50	1
7	3449-02898-LAIDO-LAIK	Wire holder	1
8	3065-KEY-DIN911-SW3-ZN	Key for DIN 916 M6x6	1
9	3722-03985-FIX-RING-SUR	Height fixing ring	2
10	08895-PIN-HOLD-UNIV-38m		1
11	03492-HAND-PIN-150-SUR		2
12	02049-WIRE-HOLDER-L80	80 mm length plastic wire holder	2
13	3815-06301-VESA-REINF-H-PIN-SUR	Vesa 75/100 heavy duty holder for terminal holder hand	1
14	3637 - D45 KamstisV2	Plastic cork D45	1
15	3450	Plastic bush 38-42-35	1
16	03742-DIN911-SW2.5 - ZN	Key for DIN 7984 M4	1

UNLESS OTHERWISE SPECIFIED: DIMENSIONS ARE IN MILLIMETERS SURFACE FINISH: TOLERANCES: LINEAR: ANGULAR:			FINISH:	DEBURR AND BREAK SHARP EDGES	DO NOT SCALE DRAWING	REVISION	A-04
NAME	SIGNATURE	DATE			TITLE:		
DRAWN		2022-01-24			09785-STAND-16122021		
CHK'D					DWG NO.		
APPV'D					09785		
MFG			MATERIAL:		A3		
Q.A			- mm		SCALE:1:5		
			WEIGHT:		SHEET 1 OF 2		



UNLESS OTHERWISE SPECIFIED: DIMENSIONS ARE IN MILLIMETERS SURFACE FINISH: TOLERANCES: LINEAR: ANGULAR:			FINISH:		DEBURR AND BREAK SHARP EDGES		DO NOT SCALE DRAWING		REVISION		A-04	
DRAWN			NAME		SIGNATURE		DATE		TITLE:		09785-STAND-16122021	
CHK'D							2022-01-24					
APPV'D												
MFG												
Q.A									MATERIAL:		- mm	
									DWG NO.		09785	
									WEIGHT:		SCALE:1:5	
											SHEET 2 OF 2	

